



SITE NUMBER: SL01150C **CITY:** SALT LAKE CITY
SITE NAME: UTAH STATE FAIRPARK **COUNTY:** SALT LAKE
SITE TYPE: MONOPOLE **JURISDICTION:** SALT LAKE CITY
PROJECT TYPE: ANCHOR

PROJECT INFORMATION:
 (ANCHOR)
SL01150C
UTAH STATE FAIRPARK
 1260 WEST NORTH TEMPLE
 SALT LAKE CITY, UTAH 84116
 SALT LAKE COUNTY

CURRENT ISSUE DATE:
 09/10/20

ISSUED FOR:
CONSTRUCTION

REV.:	DATE:	DESCRIPTION:	BY:
A	08/14/20	90% CD	RC
D	09/10/20	100% CD	RC

PLANS PREPARED BY:

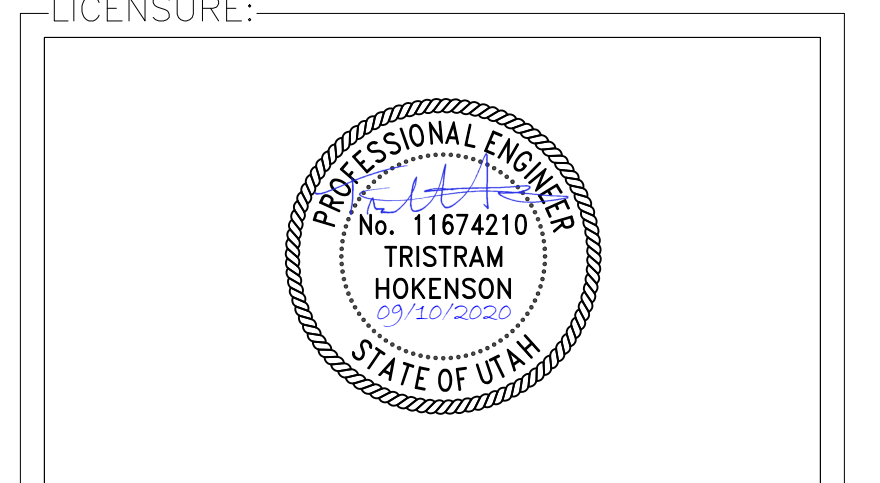
7543 Woodley Ave., #201, Van Nuys, CA 91406
 Office: (818) 840-0808 Fax: (818) 840-0708

CONSULTANT:

7543 Woodley Ave., #201, Van Nuys, CA 91406
 Office: (818) 840-0808 Fax: (818) 840-0708

DRAWN BY: _____ CHK.: _____ APV.: _____

RC	AB	AB
----	----	----



SHEET TITLE:

TITLE SHEET

SHEET NUMBER: _____ REVISION: _____

T-1	0
------------	----------

SL01150C

PROJECT SUMMARY

SITE ADDRESS:
 1260 WEST NORTH TEMPLE
 SALT LAKE CITY, UTAH 84116

PROPERTY OWNER CONTACT:
 PHOENIX TOWER INTERNATIONAL
 999 YAMATO ROAD, SUITE 100
 BOCA RATON, FL 33431

APPLICANT:
 T-MOBILE WEST LLC
 121 SOUTH ELECTION RD. SUITE. 330
 DRAPER, UT 84020
 REPRESENTATIVE:
 T-MOBILE PROJECT MANAGER: ELIZABETH FASSLER
 PROJECT MANAGER: SEAN MADDOX
 CONSTRUCTION MANAGER: JAMES PEMBERTON
 CONSTRUCTION COORDINATOR: AMANDA ROK

CONSULTING TEAM

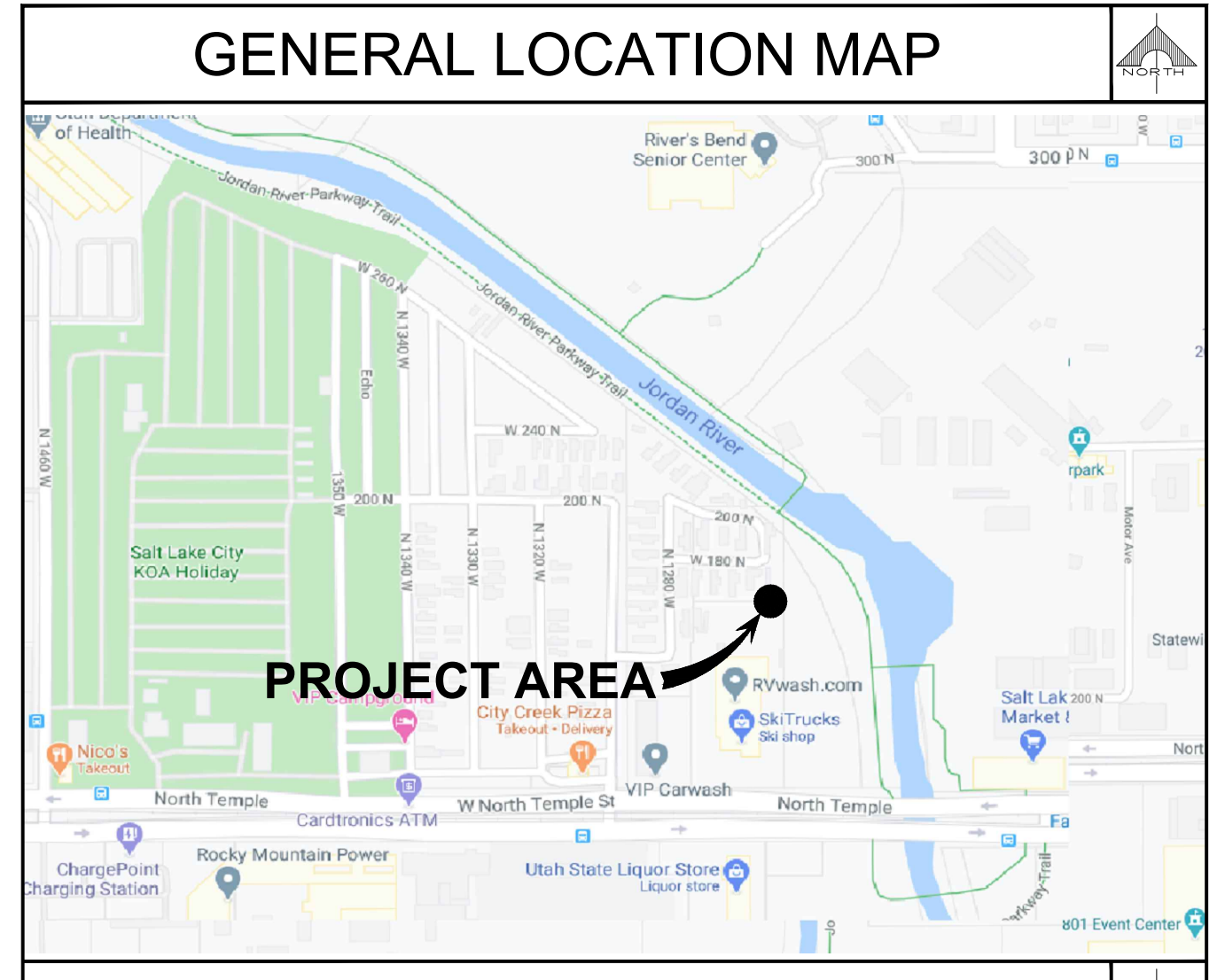
SAC/ZONING/PERMITTING:
 RACE DEVELOPMENT LLC
 4505 S WASATCH BLVD.
 SUITE 135
 HOLLADAY, UT 84024

ARCHITECTURAL/ENGINEERING:
 SYNERGY A DIVISION OF
 ADVANTAGE ENGINEERS, LLC
 7151 COLUMBIA GATEWAY DRIVE, SUITE A
 COLUMBIA, MD 21046
 CONTACT: TRISTRAM HOKENSON, P.E.
 PHONE: (443) 367-0003

STRUCTURAL ENGINEERING:
 SYNERGY A DIVISION OF
 ADVANTAGE ENGINEERS, LLC
 7151 COLUMBIA GATEWAY DRIVE, SUITE A
 COLUMBIA, MD 21046
 CONTACT: TRISTRAM HOKENSON, P.E.
 PHONE: (443) 367-0003

DRAWING INDEX

SHEET	DESCRIPTION
T-1	TITLE SHEET
T-2	GENERAL NOTES
T-3	ABBREVIATIONS, SPECIFICATIONS AND SYMBOLS
T-4	GENERAL STRUCTURAL NOTES
A-1	OVERALL SITE PLAN
A-2	ANTENNA LAYOUT PLANS
A-3	EQUIPMENT LAYOUT PLANS
A-4	ELEVATIONS
D-1	DETAILS AND SPECIFICATIONS-I
D-2	DETAILS AND SPECIFICATIONS-II
D-3	ANTENNA MOUNT DETAILS-I
D-4	ANTENNA MOUNT DETAILS-II
G-1	GROUNDING NOTES AND DETAILS



SITE SUMMARY

OCCUPANCY CLASSIFICATION: U (UNMANNED TELECOMMUNICATION FACILITY)
 OCCUPANCY CLASSIFICATION MAIN BUILDING: GENERAL COMMERCIAL
 ZONE CLASSIFICATION : N/A
 BUILDING TYPE: N/A
 APN: TBD
 CASE NO.: TBD

LATITUDE / LONGITUDE

LAT: 40° 46' 22.4" N LAT: 40.772897°
 LONG: -111° 55' 37.9" W LONG: -111.927183°

PROJECT DESCRIPTION

THE PROJECT ENTAILS:
 T-MOBILE PROPOSES TO MODIFY (E) WIRELESS TELECOMMUNICATIONS SITE BY:
 CLUBBING ANCHOR:

- ADD (3) PROPOSED AIR6449 B41, (1) PER SECTOR
- ADD (3) PROPOSED APX17DW-17DW-S-E-A20, (1) PER SECTOR
- ADD (3) PROPOSED RADIO 4415 B25, (1) PER SECTOR

EQUIPMENT NOTES:

- ADD (1) PROPOSED 6160 SITE SUPPORT CABINET
- ADD (1) PROPOSED B160 BATTERY CABINET
- ADD (3) BB6630 (FOR L2500) AND (1) BB6648 (FOR N2500) TO PROPOSED 6160 SITE SUPPORT CABINET
- KEEP (2) BB6630 AND (1) DUW30 TO EXISTING RBS 6102 CABINET
- ADD (1) DUG20 AND (1) BB6630 TO EXISTING RBS 6102 CABINET
- ADD (2) 6X12 HCS 6AWG (30M)
- REMOVE (1) 6X18 HCS (30M)
- KEEP (12) EXISTING 7/8" COAX
- ADD (1) PROPOSED PSU 4813

APPROVAL

THE FOLLOWING PARTIES HEREBY APPROVE AND ACCEPT THESE DOCUMENTS AND AUTHORIZE THE CONTRACTOR TO PROCEED WITH THE CONSTRUCTION DESCRIBED HEREIN. ALL CONSTRUCTION DOCUMENTS ARE SUBJECT TO REVIEW BY THE LOCAL BUILDING DEPARTMENT AND ANY CHANGES AND MODIFICATIONS THEY MAY IMPOSE.

	PRINT NAME	SIGNATURE	DATE
LANDLORD:	_____	_____	_____
ZONING MGR:	_____	_____	_____
DEVELOP. MGR:	_____	_____	_____
CONST. MGR:	_____	_____	_____
PROJECT MGR:	_____	_____	_____
SR. RF ENGINEER:	_____	_____	_____
RF ENGINEER:	_____	_____	_____
OPERATIONS:	_____	_____	_____
SAC REP.:	_____	_____	_____
UTILITIES:	_____	_____	_____
REAL ESTATE MGR:	_____	_____	_____

LEGAL DESCRIPTION

COM S 89°58'38" W 111.76 FT FR SE COR LOT 1 BLK 1 JORDAN PLAT A N 0°00'55" W 449.48 FT S 89°58'38" W 198.91 FT S 0°04' W 99.48 FT S 89°58'38" W 5.95 FT S 0°00'55" E 350 FT N89°58'38" E 205 FT TO BEG 2.08 AC 6016-2875 7633-1651 7633-1653

ACCESSIBILITY REQUIREMENTS

THE FACILITY IS UNMANNED AND NOT FOR CONTINUOUS HUMAN HABITATION. HANDICAPPED ACCESS IS NOT REQUIRED PER THE BUILDING CODE 2018 OF UTAH, SECTION 1103.2.7 (LIMITED ACCESS SPACES) SECTION 1103.2.9 (EQUIPMENT SPACES)

CODE COMPLIANCE

- BUILDING CODE 2018 OF UTAH
- COMMERCIAL ENERGY CONSERVATION CODE 2018 OF UTAH
- MECHANICAL CODE 2018 OF UTAH
- PLUMBING CODE 2018 OF UTAH
- ANSI / TIA-222-H-2017
- LOCAL BUILDING CODES
- CITY / COUNTY ORDINANCES
- FIRE CODE 2018 OF UTAH
- ASCE 7-16
- ACI 318-14
- AISC STEEL CONSTRUCTION MANUAL, 15TH ED

DRIVING DIRECTION

DIRECTION FROM T-MOBILE OFFICE:
 HEAD WEST ON W ELECTION RD TOWARD S LONE PEAK PKWY, TURN RIGHT ONTO S LONE PEAK PKWY, TURN RIGHT ONTO UT-175 / W 11400 S, TAKE RAMP LEFT FOR I-15 N, TURN LEFT ONTO W 400 S, TURN RIGHT ONTO S 900 W, ROAD NAME CHANGES TO N 900 W, TURN LEFT ONTO W NORTH TEMPLE, TURN RIGHT
 ARRIVE AT 1260 W NORTH TEMPLE, SALT LAKE CITY, UTAH 84116.

ROOFING & WATERPROOFING NOTES

1. CONTRACTOR SHALL CONTACT THE BUILDING OWNER TO DETERMINE IF ROOF IS UNDER WARRANTY. CONTRACTOR SHALL GUARANTEE THAT ANY AND ALL NEW ROOFING WORK MEETS THE SPECIFICATION OF ANY EXISTING ROOFING WARRANTIES SUCH THAT THE WARRANTY IS NOT MADE INVALID AS A RESULT OF THIS WORK. IF IT IS DETERMINED THAT THE ARCHITECT'S DETAILING IS INADEQUATE OR IMPROPER OR IF ANY OTHER DISCREPANCY IS FOUND, THE CONTRACTOR SHALL IMMEDIATELY NOTIFY THE ARCHITECT AND THE CLIENT PROJECT MANAGER IN WRITING. ULTIMATELY, THE CONTRACTOR SHALL BE RESPONSIBLE FOR COMPLYING WITH THE ORIGINAL ROOF MANUFACTURER'S SPECIFICATIONS.
2. CONTRACTOR SHALL USE METHODS AND MATERIALS SIMILAR AND COMPATIBLE WITH EXISTING MATERIALS & CONDITIONS FOR ROOF PATCHING, NEW PENETRATIONS, ETC.
3. THE CONTRACTOR SHALL PROPERLY SEAL ALL NEW ROOF & BUILDING ENVELOPE PENETRATIONS SUCH THAT THE INTEGRITY OF THE ORIGINAL BUILDING ASSEMBLY AND ALL APPLICABLE WARRANTIES ARE MAINTAINED.
4. IF IT DEEMED NECESSARY TO REMOVE EXISTING FINISHED AND/OR MATERIALS, THE CONTRACTOR SHALL BE RESPONSIBLE FOR RECONSTRUCTING FINISHES AND MATERIALS TO LINE-NEW CONDITIONS. CONTRACTOR SHALL MAINTAIN THE ORIGINAL COLORS, TEXTURES & FINISHES UNLESS SPECIFICALLY NOTED TO THE CONTRARY OR APPROVED T-MOBILE CONSTRUCTION MANAGER IN ADVANCE.
5. AT THE CLIENT CONSTRUCTION MANAGER'S DISCRETION, THE CONTRACTOR SHALL PROVIDE ROOFTOP WALKPADS TO ALL NEW EQUIPMENT INCLUDING ANTENNAS AND BTS UNITS AND ALONG COAX CABLE ROUTING. ON CONVENTIONAL ROOFING, THE WALK PADS SHALL BE "DUCK BOARDS" AS MANUFACTURED BY APC OR EQUAL. ON SPECIAL ROOFING SYSTEMS SUCH AS SINGLE MEMBRANE ROOFS WILL REQUIRE A SPECIFIC PRODUCT AS NOTED ON PLANS OR AS REQUIRED BY NOTES 1 & 2 ABOVE.

PENETRATION AT FIRE RATED ASSEMBLIES NOTES

1. AT THE CLIENT PROJECT MANAGER'S DIRECTION, THE CONTRACTOR SHALL PROVIDE "HILTI" HIGH PERFORMANCE FIRESTOP SYSTEM #FS601 AT ALL FIRE RATED PENETRATIONS INSTALLED PER MANUFACTURER'S LATEST INSTALLATION SPECIFICATIONS.
2. ALL PENETRATIONS THROUGH FIRE RATED ASSEMBLIES SHALL BE CONSTRUCTED SO AS TO MAINTAIN AN EQUAL OR GREATER FIRE RATING.

GENERAL NOTES

1. THE LATEST EDITION OF THE AMERICAN INSTITUTE OF ARCHITECTS DOCUMENT A201 "GENERAL CONDITIONS OF THE CONTRACT FOR CONSTRUCTION" ARE INCLUDED IN THESE SPECIFICATIONS AS IF COMPLETELY REPRODUCED HEREIN.
2. THESE NOTES SHALL BE CONSIDERED A PART OF THE WRITTEN SPECIFICATION.
3. THIS FACILITY IS AN UNOCCUPIED T-MOBILE TELECOMMUNICATIONS SITE AND IS EXEMPT FROM DISABLED ACCESS REQUIREMENTS.
4. PRIOR TO THE SUBMISSION OF BIDS, THE CONTRACTORS PARTICIPATING SHALL VISIT THE JOB SITE AND FAMILIARIZE THEMSELVES WITH ALL FIELD CONDITIONS AFFECTING THE PROPOSED PROJECT INCLUDING DEMOLITION, ELECTRICAL, MECHANICAL AND STRUCTURAL INSTALLATIONS, AS WELL AS WITH THE CONSTRUCTION AND CONTRACT DOCUMENTS AND SHALL CONFIRM THAT THE PROJECT CAN BE ACCOMPLISHED AS SHOWN PRIOR TO PROCEEDING WITH THE CONSTRUCTION. SHOULD ANY ERRORS, OMISSION, OR DISCREPANCIES BE FOUND, THE GENERAL CONTRACTOR SHALL IMMEDIATELY NOTIFY SYNERGY AND THE PROJECT ARCHITECT / ENGINEER IN WRITING. IN THE EVENT OF DISCREPANCIES FOUND, THE GENERAL CONTRACTOR SHALL IMMEDIATELY NOTIFY SYNERGY AND THE PROJECT ARCHITECT / ENGINEER IN WRITING. IN THE EVENT OF DISCREPANCIES THE CONTRACTOR SHALL INCLUDE THE MORE COSTLY OR EXTENSIVE WORK IN THE BID, UNLESS SPECIFICALLY DIRECTED OTHERWISE. THE CONTRACTOR SHALL BE RESPONSIBLE FOR CORRECTING ANY ERROR, OMISSION, OR INCONSISTENCY AFTER THE START OF THE CONSTRUCTION WHICH HAS NOT BEEN BROUGHT TO THE ATTENTION OF THE PROJECT ARCHITECT / ENGINEER AND SHALL INCUR ANY EXPENSES TO RECTIFY THE SITUATION. THE MEANS OF CORRECTING ANY ERROR SHALL FIRST BE APPROVED BY THE PROJECT ARCHITECT / ENGINEER.
5. THE CONTRACTOR SHALL INCLUDE IN THE BID ALL MATERIALS, EQUIPMENT, APPURTENANCES AND LABOR NECESSARY TO COMPLETE THE WORK AS INDICATED OR IMPLIED BY THESE DRAWINGS.
6. THE CONTRACTOR SHALL PROVIDE CONTINUOUS SUPERVISION WHILE ANY SUBCONTRACTORS OR WORKMEN ARE IN THE SITE AND SHALL SUPERVISE AND DIRECT ALL WORK. USING THE BEST SKILLS AND ATTENTION, THE CONTRACTOR SHALL BE SOLELY RESPONSIBLE FOR ALL CONSTRUCTION MEANS, METHODS, TECHNIQUES, PROCEDURES AND SEQUENCES AND FOR COORDINATING ALL PORTIONS OF THE WORK UNDER THE CONTRACT.
7. WORKMANSHIP THROUGHOUT SHALL BE OF THE BEST QUALITY OF THE TRADE INVOLVED, AND SHALL MEET OR EXCEED THE FOLLOWING MINIMUM REFERENCE STANDARDS FOR QUALITY AND PROFESSIONAL CONSTRUCTION PRACTICE:

NCRA	NATIONAL ROOFING CONTRACTORS ASSOCIATION 0' HARE INTERNATIONAL CENTER 10255 W. HIGGINS ROAD, SUITE 600 ROSEMONT, IL 60018-5607
SMACNA	SHEET METAL AND AIR CONDITIONING CONTRACTORS NATIONAL ASSOCIATION 4201 LAFAYETTE CENTER DRIVE CHANTILLY, VA 20151-1219
IILP	INTERNATIONAL INSTITUTE FOR LATH AND PLASTER P.O. BOX 1663 LAFAYETTE, CA 94549
8. INSTALL ALL EQUIPMENT AND MATERIALS PER THE LATEST EDITION OF THE MANUFACTURER'S INSTALLATION SPECIFICATIONS UNLESS SPECIFICALLY OTHERWISE INDICATED, OR WHERE LOCAL CODES OR REGULATIONS PRECEDENCE.
9. THE CONTRACTOR AND ALL SUBCONTRACTORS SHALL GIVE ALL NOTICES AND SHALL COMPLY WITH ALL APPLICABLE LOCAL CODES, REGULATIONS, LAWS AND ORDINANCES AS WELL AS STATE DEPARTMENT OF INDUSTRIAL REGULATIONS AND DIVISION OF INDUSTRIAL SAFETY (OSHA) REQUIREMENTS.
10. THE CONTRACTOR SHALL BE RESPONSIBLE FOR AND SHALL REMEDY ALL FAULTY, INFERIOR, AND/OR IMPROPER MATERIALS, DAMAGED GOODS, AND/OR FAULTY WORKMANSHIP FOR ONE (1) YEAR AFTER THE PROJECT IS COMPLETE AND ACCEPTED UNDER THIS CONTRACT; UNLESS NOTED OTHERWISE IN THE CONTRACT BETWEEN THE OWNER AND CONTRACTOR. (EXCEPTION) THE ROOFING SUBCONTRACTOR SHALL FURNISH A MAINTENANCE AGREEMENT FOR ALL WORK DONE, COSIGNED BY THE GENERAL CONTRACTOR, TO MAINTAIN THE ROOFING IN A WATER TIGHT CONDITION FOR A PERIOD OF TWO (2) YEARS STARTING AFTER THE DATE OF SUBSTANTIAL COMPLETION OF THE PROJECT, UNLESS OTHERWISE WRITTEN IN THE CONTRACT BETWEEN THE OWNER AND THE CONTRACTOR.

GENERAL NOTES (CONTINUATION)

11. THE GENERAL CONTRACTOR MUST PERFORM WORK DURING PROPERTY OWNER'S PREFERRED HOURS TO AVOID DISRUPTION OF NORMAL ACTIVITY.
12. ALL EXPOSED METAL SHEET SHALL BE HOT-DIPPED GALVANIZED.
13. PROVIDE A PORTABLE FIRE EXTINGUISHER WITH A RATING OF NOT LESS THAN 2-A OR 2-A10BC WITHIN 75 FEET TRAVEL DISTANCE TO ALL PORTIONS OF THE PROJECT AREA CONSTRUCTION.
14. THE GOVERNING AGENCIES, CODE AUTHORITIES, AND BUILDING INSPECTORS SHALL PROVIDE THE MINIMUM STANDARDS FOR CONSTRUCTION TECHNIQUES, MATERIALS, AND FINISHES USED THROUGHOUT THE PROJECT TRADE STANDARDS AND/OR PUBLISHED MANUFACTURERS SPECIFICATIONS MEETING OR EXCEEDING DESIGN REQUIREMENTS SHALL BE USED FOR INSTALLATION.
15. PRIOR TO STARTING CONSTRUCTION OF THE CONTRACTOR HAS THE RESPONSIBILITY TO LOCATE ALL EXISTING UTILITIES, AND TO PROTECT THEM FROM DAMAGE. THE CONTRACTOR OR SUBCONTRACTOR SHALL BEAR THE EXPENSE OF REPAIRING OR REPLACING ANY DAMAGE TO THE UTILITIES CAUSED DURING THE EXECUTION OF THE WORK.
16. A COPY OF THE APPROVED PLANS SHALL BE KEPT IN A PLACE SPECIFIED BY THE GOVERNING AGENCY, AND BY LAW SHALL BE AVAILABLE FOR INSPECTION AT ALL TIMES.
17. IT IS THE CONTRACTORS RESPONSIBILITY TO ENSURE ALL CONSTRUCTION SETS REFLECT THE SAME INFORMATION AS THE APPROVED PLANS. THE CONTRACTOR SHALL ALSO MAINTAIN ONE SET OF PLANS AT THE SITE FOR THE PURPOSE OF DOCUMENTING ALL AS-BUILT CHANGES, REVISIONS, ADDENDUM'S, OR CHANGE ORDERS. THE CONTRACTOR SHALL FORWARD THE AS-BUILT DRAWINGS TO THE ARCHITECT/ENGINEER AND THE LANDLORD/LESSOR AT THE CONCLUSION OF THE PROJECT.
18. THE CONTRACTOR SHALL BE RESPONSIBLE FOR THE COMPLETE SECURITY OF THE SITE FROM THE START TO THE COMPLETION OF THE PROJECT. THE CONTRACTOR SHALL MAINTAIN ACCESS TO THE SITE AT ALL TIMES FOR THE LANDLORD/LESSOR PERSONNEL.
19. THE CONTRACTOR IS RESPONSIBLE FOR PROVIDING TEMPORARY POWER, WATER AND TOILET FACILITIES.
20. ALL CONSTRUCTION PHASES OF THE PROJECT SHALL CONFORM TO THE CURRENT GOVERNING CODES.
21. THE CONTRACTOR SHALL BE RESPONSIBLE FOR COMPLYING WITH ALL SAFETY PRECAUTIONS AND REGULATIONS DURING THE WORK. THE ENGINEER WILL NOT ADVISE OR PROVIDE DIRECTION AS TO SAFETY PRECAUTIONS AND PROGRAMS.
22. THE CONTRACTOR SHALL SUPERVISE AND COORDINATE ALL WORK, USING PROFESSIONAL KNOWLEDGE AND SKILLS. THE CONTRACTOR IS SOLELY RESPONSIBLE FOR ALL CONSTRUCTION MEANS, METHODS, TECHNIQUES, PROCEDURES, SEQUENCING AND COORDINATING ALL PORTIONS OF THE WORK.
23. THE CONTRACTOR SHALL BE RESPONSIBLE TO OBTAIN AND PAY FOR ALL PERMITS, LICENSES AND/OR INSPECTIONS TO COMPLETE THE PROJECT. BUILDING PERMIT APPLICATIONS SHALL BE FILED BY THE OWNER OR REPRESENTATIVE. CONTRACTOR SHALL OBTAIN THE PERMIT AND MAKE FINAL PAYMENT OF THE SAID DOCUMENT.
24. ALL DIMENSIONS SHALL TAKE PRECEDENCE OVER SCALE UNLESS OTHERWISE NOTED.
25. THE CONTRACTOR SHALL PROVIDE THE FIRE MARSHALL APPROVED MATERIALS TO FILL/SEAL PENETRATIONS THROUGH THE FIRE RATE ASSEMBLIES.
26. PROPOSED CONSTRUCTION ADDED TO EXISTING CONSTRUCTION SHALL BE MATCHED IN FORM, TEXTURE, MATERIAL AND PAINT COLOR EXCEPT AS NOTED IN THE PLANS.
27. WHERE SPECIFIED, MATERIALS TESTING SHALL BE TO THE LATEST STANDARDS AVAILABLE AS REQUIRED BY THE LOCAL GOVERNING AGENCY RESPONSIBLE FOR RECORDING THE RESULTS.
28. ALL GENERAL NOTES AND STANDARD DETAILS ARE THE MINIMUM REQUIREMENTS TO BE USED IN CONDITIONS WHICH ARE NOT SPECIFICALLY SHOWN OTHERWISE.
29. ALL DEBRIS AND REFUSE IS TO BE REMOVED FROM THE PROJECT DAILY. PREMISES SHALL BE LEFT IN A CLEAN/SWEPT CONDITION AT ALL TIMES.
30. ALL SYMBOLS AND ABBREVIATIONS ARE CONSIDERED CONSTRUCTION INDUSTRY STANDARDS. IF A CONTRACTOR HAS A QUESTION REGARDING THEIR EXACT MEANING THE ARCHITECT/ENGINEER SHALL BE NOTIFIED FOR CLARIFICATIONS.
31. THE ENGINEER SHALL NOT BE RESPONSIBLE FOR THE METHODS, TECHNIQUES AND SEQUENCES OF PROCEDURES TO PERFORM THE WORK. THE SUPERVISION OF THE WORK IS THE SOLE RESPONSIBILITY OF THE CONTRACTOR.
32. CONTRACTORS SHALL BID WALK THE PROJECT TO ASCERTAIN CONDITIONS WHICH MAY ADVERSELY AFFECT THE WORK OR COST THEREOF.
33. THE CONTRACTOR SHALL FIELD VERIFY ALL EXISTING CONDITIONS, THE DIMENSIONS, ELEVATIONS, ETC. NECESSARY FOR THE PROPER CONSTRUCTION AND ALIGNMENT OF THE PROPOSED WORK TO THE EXISTING WORK. THE CONTRACTOR SHALL MAKE ALL MEASUREMENTS NECESSARY FOR THE FABRICATION AND ERECTION OF STRUCTURAL MEMBERS. ANY DISCREPANCY SHALL BE IMMEDIATELY BROUGHT TO THE ATTENTION OF THE ARCHITECT/ENGINEER. THE CONTRACTOR SHALL BE RESPONSIBLE FOR ALL WORK AND MATERIALS INCLUDING THOSE FURNISHED BY THE SUBCONTRACTOR(S).
34. IT SHALL BE THE RESPONSIBILITY OF THE CONTRACTOR TO LOCATE ALL EXISTING UTILITIES WHETHER SHOWN HEREON OR NOT, AND TO PROTECT THEM FROM DAMAGE. THE CONTRACTOR SHALL BEAR ALL EXPENSE OF REPAIR OR REPLACEMENT IN CONJUNCTION WITH THE EXECUTION OF THIS WORK. GENERAL CONTRACTOR SHALL NOTIFY THE ENGINEER AND ARCHITECT IMMEDIATELY OF ANY DISCREPANCIES FOUND WITHIN THE CONTRACT DOCUMENTS, PRIOR TO STARTING WORK.
35. ALL EXISTING ACTIVE SEWER, WATER, GAS, ELECTRIC, AND OTHER UTILITIES WHERE ENCOUNTERED IN WORK, SHALL BE PROTECTED AT ALL TIMES, AND WHERE REQUIRED FOR THE PROPER EXECUTION OF WORK, SHALL BE RELOCATED AS DIRECTED BY ENGINEERS. EXTREME CAUTION SHOULD BE USED BY THE CONTRACTOR WHEN EXCAVATING OR PIER DRILLING AROUND OR NEAR UTILITIES.
36. ALL EXISTING INACTIVE SEWER, WATER, GAS, ELECTRIC AND OTHER UTILITIES, WHICH INTERFERE WITH THE EXECUTION OF WORK, SHALL BE REMOVED AND SHALL BE CAPPED, PLUGGED OR OTHERWISE DISCONTINUED AT POINTS WHICH WILL NOT INTERFERE WITH THE EXECUTION OF WORK, SUBJECT TO THE APPROVAL OF THE ENGINEER.
37. NO CHANGES ARE TO BE MADE TO THESE PLANS WITHOUT THE KNOWLEDGE AND WRITTEN CONSENT OF THE ARCHITECT/ENGINEER. UNAUTHORIZED CHANGES RENDER THESE DRAWINGS VOID.
38. ANY REFERENCES TO THE WORDS APPROVED, OR APPROVAL IN THESE DOCUMENTS SHALL BE HERE DEFINED TO MEAN GENERAL ACCEPTANCE OR REVIEW AND SHALL NOT RELIEVE THE CONTRACTOR AND/OR HIS SUBCONTRACTORS OF ANY LIABILITY IN FURNISHING THE REQUIRED MATERIALS OR LABOR SPECIFIED.

GENERAL NOTES (CONTINUATION)

39. A PRE-CONSTRUCTION CONFERENCE OF REPRESENTATIVES FROM AFFECTED AGENCIES SHALL BE HELD ON THE JOB AT LEAST ONE (1) WEEK PRIOR TO BEGINNING CONSTRUCTION.
40. DRAWINGS ARE NOT TO BE SCALED UNDER ANY CIRCUMSTANCES, WRITTEN DIMENSIONS TAKE PRECEDENCE OVER SCALE, AND THIS SET OF PLANS IS INTENDED TO BE USED FOR DIAGRAMMATIC PURPOSES ONLY, UNLESS NOTED OTHERWISE. CONTRACTOR SHALL PROVIDE FIELD MEASUREMENTS AS NECESSARY TO COMPLETE ALL WORKS AND THE GENERAL CONTRACTOR'S SCOPE OF WORK SHALL INCLUDE FURNISHING ALL MATERIALS, EQUIPMENT, LABOR, AND ANYTHING ELSE DEEMED NECESSARY TO COMPLETE INSTALLATIONS AS DESCRIBED HEREIN. SYNERGY IS NOT RESPONSIBLE FOR ANY ERRORS RESULTING FROM THIS PRACTICE WRITTEN DIMENSIONS TAKE PRECEDENCE OVER SCALE SHOWN ON PLANS.
41. DETAILS INCLUDED HEREIN ARE INTENDED TO SHOW END RESULT OF DESIGN. MINOR MODIFICATIONS MAY BE REQUIRED TO SUIT JOB CONDITIONS OR SITUATIONS, AND SUCH MODIFICATIONS SHALL BE INCLUDED AS PART OF THE SCOPE OF WORK.

SITE PREPARATION NOTES

1. THE PREPARATION OF THE SITE FOR CONSTRUCTION SHALL INCLUDE THE REMOVAL OF ALL BROKEN CONCRETE, TREE TRUNKS AND ANY OTHER DEBRIS THAT MIGHT DAMAGE THE FOOTINGS OF THE PROPOSED STRUCTURE.
2. BACKFILL ALL TRENCHES WITH CLEAN, STERILE SOIL HAVING A SAND EQUIVALENT OF 30% OR GREATER. BACKFILL IN 8 INCH LAYERS, MOISTURE CONDITIONED AND PROPERLY COMPACTED. ADEQUATE DRAINAGE SHALL BE PROVIDED SUCH THAT NO PONDING OCCURS.
3. ALL FOUNDATION FOOTINGS SHALL EXTEND INTO AND BEAR AGAINST NATURAL UNDISTURBED SOIL OR APPROVED COMPACTED FILL. FOOTINGS SHALL EXTEND INTO SOIL DEPTH AS INDICATED IN PLANS.
4. SHOULD ANY LOOSE FILL, EXPANSIVE SOIL, GROUND WATER OR ANY OTHER UNEXPECTED CONDITIONS BE ENCOUNTERED DURING THE EXCAVATION FOR THE PROPOSED FOUNDATION, THE ARCHITECT/ENGINEER SHALL BE NOTIFIED AND ALL FOUNDATION WORK SHALL CEASE IMMEDIATELY.
5. WITHIN AN AREA A MINIMUM OF 5 FEET BEYOND THE BUILDING LIMITS, EXCAVATE A MINIMUM OF 4" OF EXISTING SOIL. REMOVE ALL ORGANICS, PAVEMENT, ROOTS, DEBRIS AND OTHERWISE UNSUITABLE MATERIAL.
6. THE SURFACE OF THE EXPOSED SUBGRADE SHALL BE INSPECTED BY PROBING OR TESTING TO CHECK FOR POCKETS OF SOFT OR UNSUITABLE MATERIAL. EXCAVATE UNSUITABLE SOIL AS DIRECTED BY THE GEOTECHNICAL ENGINEER/TESTING AGENCY.
7. PROOF ROLL THE SURFACE OF THE EXPOSED SUBGRADE WITH A LOADED TANDEM AXLE DUMP TRUCK. REMOVE ALL SOILS WHICH PUMP OR DO NOT COMPACT PROPERLY AS DIRECTED BY THE GEOTECHNICAL ENGINEER/TESTING AGENCY.
8. FILL ALL EXCAVATED AREAS WITH APPROVED CONTROLLED FILL. PLACE IN 8" LOOSE LIFTS AND THE MAXIMUM DRY DENSITY IN ACCORDANCE WITH ASTM D698. COMPACT TO A MINIMUM OF 90% RELATIVE COMPACTION
9. ANY STRUCTURAL DRAWINGS HERE IN REPRESENT THE FINISHED STRUCTURE. THE CONTRACTOR SHALL PROVIDE ALL TEMPORARY GUYING AND BRACING REQUIRED TO ERECT AND HOLD THE STRUCTURE IN PROPER ALIGNMENT UNTIL ALL STRUCTURAL WORK AND CONNECTIONS HAVE BEEN COMPLETED. THE INVESTIGATION, DESIGN, SAFETY, ADEQUACY AND INSPECTION OF ERECTION BRACING, SHORING, TEMPORARY SUPPORTS, ETC. IS THE SOLE RESPONSIBILITY OF THE CONTRACTOR.
10. THE ARCHITECT/ENGINEER IS NOT RESPONSIBLE FOR COMPLICATIONS, DAMAGES, INJURY, OR DEATH ARISING OUT OF ANY KIND OF NEGLIGENCE PRIOR TO COMPLETION OF THE FINISHED STRUCTURE.
11. PRIOR TO STARTING CONSTRUCTION, THE CONTRACTOR SHALL PROTECT ALL AREAS FROM DAMAGE WHICH MAY OCCUR DURING CONSTRUCTION. ANY DAMAGE TO PROPOSED OR EXISTING SURFACES, STRUCTURES OR EQUIPMENT SHALL BE IMMEDIATELY REPAIRED OR REPLACED TO THE SATISFACTION OF THE PROPERTY OWNER. THE CONTRACTOR SHALL BEAR THE EXPENSE OF REPAIRING OR REPLACING ANY DAMAGED AREAS.
12. WHEN REQUIRED STORAGE OF MATERIALS OCCURS, THEY SHALL BE EVENLY DISTRIBUTED OVER THE FLOOR OR ROOF SO AS NOT TO EXCEED THE DESIGNED LIVE LOADS FOR THE STRUCTURE. TEMPORARY SHORING OR BRACING SHALL BE PROVIDED WHERE THE STRUCTURE OR SOIL HAS NOT ATTAINED THE DESIGN STRENGTH FOR THE CONDITIONS PRESENT.
13. PRIOR TO PROCEEDING WITH ANY WORK WITHIN AN EXISTING FACILITY, THE CONTRACTOR SHALL FAMILIARIZE WITH EXISTING STRUCTURAL AND OTHER CONDITIONS. IT SHALL BE THE CONTRACTOR'S RESPONSIBILITY TO PROVIDE ALL NECESSARY BRACING, SHORING AND OTHER SAFEGUARDS TO MAINTAIN ALL PARTS OF THE EXISTING WORK IN A SAFE CONDITION DURING THE PROCESS OF DEMOLITION AND CONSTRUCTION AND TO PROTECT FROM DAMAGE THOSE PORTIONS OF THE EXISTING WORK WHICH ARE TO REMAIN.

SHOP DRAWING REVIEW

1. REVIEW BY THE ARCHITECT/ENGINEER IS FOR GENERAL COMPLIANCE WITH THE DESIGN CONCEPT AND THE CONTRACT DOCUMENTS. MARKINGS OR COMMENTS SHALL NOT BE CONSTRUED AS RELIEVING THE CONTRACTOR FROM COMPLIANCE WITH THE PROJECT PLANS AND SPECIFICATIONS, NOR DEPARTURES THERE FROM. THE CONTRACTOR REMAINS RESPONSIBLE FOR DETAILS AND ACCURACY, FOR CONFIRMING AND CORRELATING ALL QUANTITIES AND DIMENSIONS, FOR SELECTION FABRICATION PROCESSES.

LANDLORD/LESSOR NOTES

1. A PRECONSTRUCTION CONFERENCE OF REPRESENTATIVES FROM APPLICABLE AGENCIES SHALL BE HELD ON SITE AT LEAST ONCE PRIOR TO BEGINNING CONSTRUCTION AT WHICH TIME A CONSTRUCTION SCHEDULE AND 24-HOUR CONTACT INFORMATION SHALL BE PROVIDED TO LANDLORD/LESSOR.
2. CONTRACTOR SHALL MAINTAIN ACCESS TO THE SITE AT ALL TIMES FOR LANDLORD/LESSOR PERSONNEL. OPEN TRENCHES SHALL BE PROPERLY PLATED AT THE END OF EACH WORKING DAY TO ALLOW FOR 24-HOUR LANDLORD/LESSOR ACCESS TO THE SITE.
3. THE CONTRACTOR AND CELL CARRIER SHALL BE RESPONSIBLE FOR ANY DAMAGE DUE TO CONSTRUCTION ACTIVITIES TO THE EXISTING SITE AND SHALL RETURN DAMAGED FACILITIES TO EXISTING CONDITION OR BETTER AT NO COST TO THE LANDLORD/LESSOR.
4. THE CONTRACTOR SHALL NOTIFY UNDERGROUND SERVICE ALERT (DIG ALERT) AT LEAST TWO (2) WORKING DAYS PRIOR TO BEGINNING CONSTRUCTION AT 1-800-422-4133.
5. ALL PROPOSED AND EXISTING FACILITIES OWNED BY THE REPRESENTED CELLULAR CARRIER SHALL BE PROPERLY TAGGED IDENTIFYING THE OWNER'S NAME AND 24-HOUR PHONE NUMBER.
6. THE CONTRACTOR IS RESPONSIBLE TO ENSURE THE SITE IS SECURE DURING BOTH WORKING AND NON-WORKING HOURS.

ACCESSIBILITY EXCEPTION NOTES

1. SECTION 1103.2.7: LIMITED ACCESS SPACES – SPACES NOT CUSTOMARILY OCCUPIED AND ACCESSED ONLY BY LADDERS, CATWALKS, CRAWL SPACES, FREIGHT ELEVATORS OR VERY NARROW PASSAGEWAYS SHALL NOT BE REQUIRED TO COMPLY WITH THESE REQUIREMENTS OR TO BE ON AN ACCESSIBLE ROUTE.
2. SECTION 1103.2.9: EQUIPMENT SPACES – SPACES FREQUENTED ONLY BY SERVICE PERSONNEL FOR MAINTENANCE, REPAIR OR OCCASIONAL MONITORING OF EQUIPMENT SHALL NOT BE REQUIRED TO COMPLY WITH THIS REQUIREMENT OR TO BE ON AN ACCESSIBLE ROUTE. MACHINERY SPACES INCLUDE, BUT ARE NOT LIMITED TO, ELEVATOR PITS OR ELEVATOR PENTHOUSES; MECHANICAL ELECTRICAL OR COMMUNICATIONS EQUIPMENT ROOMS; PIPING OR EQUIPMENT CATWALKS; WATER OR SEWAGE TREATMENT PUMP ROOMS AND STATIONS; ELECTRIC SUBSTATIONS AND TRANSFORMER VAULTS; AND HIGHWAY AND TUNNEL FACILITIES.

GENERAL RF NOTES

1. ALL ANTENNAS AND ANTENNA CABLE SHALL BE FURNISHED BY T-MOBILE WIRELESS AND INSTALLED BY ANTENNA INSTALLATION CONTRACTOR.
2. PRIOR TO INSTALLATION OF ANTENNAS THE CONTRACTOR SHALL VERIFY THAT THE AZIMUTH AND DIMENSIONS SHOWN ON THE PLANS MATCH ACTUAL FIELD CONDITIONS.
3. ANTENNA INSTALLATION CONTRACTOR SHALL PROVIDE ALL CONDUIT, CABLE TRAYS, GROUND KITS, CLAMPS, GROUNDS, ETC., FOR COMPLETE INSTALLATION OF ANTENNAS AND CABLES SHOWN AND INTENDED AS REQUIRED FOR A COMPLETE OPERATING SYSTEM IN ACCORDANCE WITH T-MOBILE WIRELESS STANDARDS.
4. ANTENNA CONDUIT SHALL INCLUDE FACTORY-MADE LARGE RADIUS SWEEPS AT ALL CHANGES IN DIRECTION. SWEEP RADIUS SHALL BE AS REQUIRED TO MEET COAX MANUFACTURER'S MINIMUM BENDING RADIUS.
5. ALL UNDERGROUND CONDUIT SHALL BE SCHEDULE 40 PVC WITH STEEL BENDS. ALL EXPOSED CONDUIT ABOVE GRADE LEVEL SHALL BE IMC OR RIGID GALVANIZED. ALL EXPOSED CONDUIT PROTECTED IN A BUILDING OR ON A ROOF SHALL BE EMT OR UV STABILIZED, PAINTED, SCHEDULE 80 PVC.
6. IN HIGH TRAFFIC AREAS OR WHERE SUSCEPTIBLE TO DAMAGE CONTRACTOR SHALL PROVIDE FORMED 14 GA GALVANIZED SHEET METAL COVER OVER COAXIAL CABLE ROUTES. WHERE CABLE IS RUN ON THE WALL, ATTACH UNISTRUT TO WALL AND COVER WITH 14 GA GALVANIZED FORMED SHEET METAL COVER OR MATERIAL AS DIRECTED BY T-MOBILE WIRELESS PROJECT MANAGER.
7. VERIFY ROUTE AND LENGTH OF CABLE PRIOR TO CUTTING. ADJUST INDICATED ROUTE AS REQUIRED TO CLEAR EXISTING OBSTRUCTIONS AND MAINTAIN REQUIRED CLEARANCE FROM EXISTING EQUIPMENT AND FACILITIES.
8. MAXIMUM LENGTH OF 7/8" COAXIAL CABLE SHALL BE 140'-0". MAXIMUM LENGTH OF 1-5/8" COAXIAL CABLE SHALL BE 240'-0".
9. VERIFY MODEL NUMBERS OF ANTENNAS WITH T-MOBILE WIRELESS SERVICES.
10. THE CONTRACTOR SHALL PROVIDE TESTING OF ANTENNAS AND SHALL PROVIDE DOCUMENTATION TO THE T-MOBILE WIRELESS PROJECT MANAGER.
11. INSTALL EMBOSSED ALUMINUM IDENTIFICATION TAGS AT THE END OF THE MAIN COAXIAL CABLE RUNS, ALONG WITH THE END OF THE JUMPER CABLE LOCATED WITHIN THE PLINTH SECTION OF THE BTS UNIT.

NOTE:
CONTRACTOR TO FIELD VERIFY ALL (E) CONSTRUCTION CONDITIONS BEFORE SUBMITTAL OF FINAL BIDS, START OF CONSTRUCTION AND OR FABRICATION.



PROJECT INFORMATION:

(ANCHOR)
SL01150C
UTAH STATE FAIRPARK
1260 WEST NORTH TEMPLE
SALT LAKE CITY, UTAH 84116
SALT LAKE COUNTY

CURRENT ISSUE DATE:

09/10/20

ISSUED FOR:

CONSTRUCTION

REV. DATE DESCRIPTION BY

△	08/14/20	90% CD	RC
△	09/10/20	100% CD	RC

PLANS PREPARED BY:



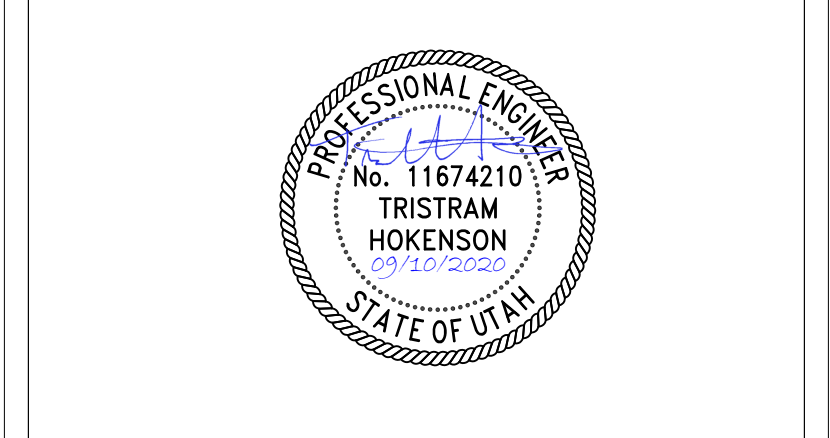
CONSULTANT:



DRAWN BY: CHK.: APV.:

RC	AB	AB
----	----	----

LICENSURE:



SHEET TITLE:

GENERAL NOTES

SHEET NUMBER: REVISION:

T-2 **0**
SL01150C

ABBREVIATIONS

<p>AB ANCHOR BOLT AC ASPHALTIC CONCRETE A.C. AIR CONDITIONING ADJ. ADJUSTABLE A.F.F. ABOVE FINISH FLOOR ARCH. ARCHITECTURAL APPROX. APPROXIMATELY A.G.L. ABOVE GRADE LEVEL A.M.S.L. ABOVE MEAN SEA LEVEL</p> <p>BD BOARD BLDG. BUILDING BLKG. BLOCKING BOT. BOTTOM BSMT. BASEMENT BTS. BASE TRANSCIEVER STATION</p> <p>C. COURSE(S) CEM. CEMENT CL. CHAIN LINK CLG. CEILING CLR. CLEAR CO. CONDUIT ONLY COL. COLUMN CONC. CONCRETE CONST. CONSTRUCTION CONT. CONTINUOUS CORR. CORRIDOR CPRI. COMMON PUBLIC RADIO INTERFACE CABLE</p> <p>DIA. DIAMETER DBL. DOUBLE DEPT. DEPARTMENT DEMO. DEMOLITION DIM. DIMENSION DN. DOWN DR. DOOR DTL. DETAIL DUG. DIGITAL UNIT GSM DUL. DIGITAL UNIT LTE DUW. DIGITAL UNIT WCDMA DWG. DRAWING</p> <p>(E). EXISTING EA. EACH ELEC. ELECTRIC ELEV. ELEVATION EQUIP. EQUIPMENT EXP. EXPANSION EXT. EXTERIOR</p> <p>FA. FIRE ALARM FB. FLAT BAR FF. FINISH FLOOR FH. FLAT HEAD FIN. FINISH(ED) FLR. FLOOR FOS. FACE OF STUDS FS. FINISH SURFACE FT. FOOT, FEET FTG. FOOTING FW. FINISH WALL F.G. FINISH GRADE FUT. FUTURE</p> <p>GA. GAUGE GALV. GALVANIZED GL. GLASS GR. GRADE GYP. GYPSUM GFCI. GROUND FAULT CIRCUIT INTERRUPT</p> <p>GND. GROUND GPS. GLOBAL POSITIONING SYSTEM GSM. GLOBAL SYSTEM FOR MOBILE COMMUNICATION</p> <p>HC. HOLLOW CORE HDW. HARDWARE HTR. HEATER HM. HOLLOW METAL HORIZ. HORIZONTAL HR. HOUR HT. HEIGHT HV. HIGH VOLTAGE</p> <p>ID. INSIDE DIMENSION INS. INSULATION INT. INTERIOR</p> <p>JT. JOINT</p>	<p>LA. LIGHTNING ARRESTOR LAM. LAMINATED LBS. POUNDS LNA. LOW NOISE AMPLIFIER LT. LIGHT LTE. LONG TERM EVOLUTION</p> <p>MFR. MANUFACTURER MAT. MATERIAL MAX. MAXIMUM MECH. MECHANICAL MIN. MINIMUM MISC. MISCELLANEOUS ML. METAL LATH MO. MASONRY OPENING MS. MACHINE SCREW MTD. MOUNTED MTL. METAL</p> <p>NIC. NOT IN CONTRACT NO. NUMBER NTS. NOT TO SCALE</p> <p>OA. OVERALL O.C. ON CENTER OPNG. OPENING OPP. OPPOSITE</p> <p>(P). PROPOSED PARTN. PARTITION PL. PLATE PLAS. PLASTER PLYWD. PLYWOOD POC. POINT OF CONNECTION PROP. PROPERTY PSUs. POWER SUPPLY UNIT SYSTEM PT. PRESSURE TREATED</p> <p>R. RISER REQD. REQUIRED RD. ROOF DRAIN RM. ROOM RMS. ROOMS RO. ROUGH OPENING</p> <p>SAR M. TELCO INTERFACE UNIT SC. SOLID CORE SCHED. SCHEDULE SECT. SECTION SFP. SMALL PLUGGABLE TRANSCIEVER SHT. SHEET SHT. SHEET SIM. SIMILAR SPECS. SPECIFICATIONS SS. STAINLESS STEEL STL. STEEL STOR. STORAGE STRUCT. STRUCTURAL SUSP. SUSPENDED SW. SWITCH SWBO. SWITCHBOARD</p> <p>THK. THICK TI. TENANT IMPROVEMENT TMA. TOWER MOUNTED AMPLIFIER TOS. TOP OF SURFACE TS. TUBE STEEL TYP. TYPICAL</p> <p>UNO. UNLESS NOTED OTHERWISE</p> <p>VCT. VINYL COMPOSITION TILE VERT. VERTICAL V.I.F. VERIFY IN FIELD VG. VERTICAL GRAIN</p> <p>W/. WITH WCDMA. WIREBAND CODE DIVISION MULTIPLE ACCESS WD. WOOD WR. WATER RESISTANT WT. WEIGHT</p> <p>XFMR. TRANSFORMER</p> <p>@. AT [. CHANNEL C. CENTERLINE ∠. ANGLE ℙ. PROPERTY LINE</p>
--	--

SYMBOLS

<p>SECTION NUMBER 1 A-1</p> <p>SHEET NUMBER</p> <p>DETAIL NUMBER 1 A-1</p> <p>SHEET NUMBER</p> <p>CROSS SECTION REFERENCE SECTION NUMBER 1 A-1 SHEET NUMBER</p> <p>DETAIL NUMBER 1 A-1 SHEET NUMBER</p> <p>KEY NOTE REFERENCE #</p>	<p>BUILDING SECTION REFERENCE</p> <p>DETAIL REFERENCE</p> <p>PROPERTY LINE</p> <p>WROUGHT IRON FENCE</p> <p>WOOD FENCE</p> <p>CHAIN LINK FENCE</p> <p>POWER SERVICE</p> <p>TELCO SERVICE</p> <p>TELCO AND POWER SERVICES</p> <p>COAX CABLE</p> <p>GROUNDING</p> <p>DOOR NUMBER</p> <p>AREA AND/OR ROOM NUMBER</p> <p>MECHANICAL UNIT</p>	<p>---</p> <p>—○—○—○—</p> <p>—□—□—□—</p> <p>—x—x—x—</p> <p>—P—P—P—</p> <p>—T—T—T—</p> <p>—T/P—T/P—T/P—</p> <p>—COAX—COAX—COAX—</p> <p>—G—G—G—</p> <p>1</p> <p>101</p> <p>A 2</p>
---	--	--

PAINTING SPECIFICATIONS

- A. GENERAL
- ALL PAINT PRODUCT LINES SHALL BE SHERWIN WILLIAMS UNLESS SPECIFICALLY NOTED OTHERWISE.
 - CONTRACTOR SHALL PREPARE ALL SURFACES AND APPLY ALL FINISHES PER LATEST EDITION OF MANUFACTURER'S SPECIFICATIONS.
 - COMPLY WITH MANUFACTURER'S WRITTEN INSTRUCTIONS REGARDING SUFFICIENT DRYING TIME BETWEEN COATS WITH PROVISIONS AS RECOMMENDED BY MANUFACTURER FOR EXISTING WEATHER CONDITIONS.
 - FINISH COLOR AND TEXTURE OF ALL PAINTED SURFACES SHALL MATCH EXISTING ADJACENT SURFACES UNLESS OTHERWISE NOTED.
 - ALL PAINT MATERIAL DATA SHEETS SHALL BE PROVIDED TO THE CIRCULAR WIRELESS CONSTRUCTION MANAGER.
 - PREPARE PREVIOUSLY PAINTED SURFACE BY LIGHT SANDING WITH 400 GRIT SANDPAPER AND NON-HYDROCARBON WASH. PREPARE GALVANIZED SURFACES BY ACID ETCH OR SOLVENT CLEANING IN ACCORDANCE WITH SSPC-SP1.
 - FURNISH DROP CLOTHES, SHIELDS, MASKING AND PROTECTIVE METHODS TO PREVENT SPRAY OR DROPPINGS FROM DAMAGING ADJACENT SURFACES AND FACILITIES.
 - APPLY PAINT BY AIRLESS SPRAY, SANDING LIGHTLY BETWEEN EACH SUCCEEDING ENAMEL COAT ON FLAT SURFACES. APPLY MATERIAL TO ACHIEVE A COATING NO THINNER THAN THE DRY FILM THICKNESS INDICATED.
 - APPLY BLOCK FILTER TO CONCRETE BLOCK CONSTRUCTION AT A RATE TO ENSURE COMPLETE COVERAGE WITH PORES COMPLETELY FILLED.
 - CONTRACTOR SHALL CORRECT RUNS, SAGS, MISSES AND OTHER DEFECTS INCLUDING INADEQUATE COVERAGE AS DIRECTED BY THE CIRCULAR WIRELESS CONSTRUCTION MANAGER. REPAINT AS NECESSARY TO ACHIEVE SURFACES WHICH ARE SMOOTH, EVENLY COATED WITH UNIFORM SHEEN AND FREE FROM BLEMISHES.
- B. PAINTING SCOPE
- PAINT THE FOLLOWING MATERIALS AND SYSTEMS CHECKED BELOW WITH THE COATING SYSTEM INDICATED.

PAINTING SCOPE				
SURFACE TO BE PAINTED	COATING SYSTEM	PANT	DO NOT PAINT	N/A
BTS UNIT				
ALL EQUIPMENT & CABINETS OTHER THAN THE BTS UNIT				
ANTENNA COVERS, TILT BRACKETS, MOUNTING BRACKETS AND ASSOCIATED HARDWARE, CABLE AND CABLE COORDS EXPOSED TO VIEW, EXPOSED CONDUIT AND HANGERS, ETC.				
FLASHING UNITS, METAL TRIM AND OTHER METAL SURFACES				
STUCCO, CONCRETE, CONCRETE BLOCK AND GEMENTIOUS TYPE FINISH SYSTEMS				
PLYWOOD, LUMBER AND WOOD TRIM INCLUDING THE BACK SIDE OF ALL SCREENWALLS				
DRYWALL				
CONCRETE POLES				
METAL POLES AND METAL POLE STAND-OFF				

- C. COATING SYSTEM SPECIFICATIONS
- DTM ACRYLIC COATING (SERIES B66) BY SHERWIN WILLIAMS CO. 1MIL DFT PER COAT APPLIED IN TWO COATS OVER DTM BONDING PRIMER (B66A50).
 - 100% ACRYLIC, LATEX COATING EQUIVALENT TO A-100 (SERIES A-82) BY SHERWIN WILLIAMS CO. 1 MIL DFT PER COAT APPLIED IN TWO COATS OVER SPECIFIED PRIMER PAINT & PRIMER
- D. ANTENNAS
- PRIMER - KEM AQUA E61-W525
TOPCOAT - COROTHANE II B65W200/B60V22
- BTS CABINET
PRIMER - KEM AQUA E61-W525
TOPCOAT - COROTHANE II B65W200/B60V22
- COAXIAL JUMPER CABLES
PRIMER - AS REQUIRED FOR ADHESION. APPLY ONE COAT OF KEM AQUA WATER REDUCIBLE PRIMER E61W25 REDUCED 25%
TOPCOAT - 2 COATS COROTHANE II POLYURETHANE B65W200/B60V2
- RAW STEEL
PRIMER - KEM BOND HS B50W24, DMT ACRYLIC PRIMER
TOPCOAT - 2 COATS COROTHANE II POLYURETHANE B65W200/B60V2
- GALVANIZED METAL
ACID ETCH WITH COMMERCIAL ETCH OR VINEGAR PRIMER COAT AND FINISH COAT (GALVITE HIGH SOLIDS OR DTM PRIMER/FINISH)
- STAINLESS STEEL
PRIMER - OTM WASH PRIMER, B71Y1
TOPCOAT - 2 COATS COROTHANE II POLYURETHANE B65W200/B60V2
- PRE-PRIMED STEEL
TOUCH UP ANY RUST OR UN-PRIMED STEEL WITH KEM BOND HS, SS0WZ4
- ALUMINUM & COPPER
PRIMER - DTM WASH PRIMER, B71Y1
TOPCOAT - 2 COATS COROTHANE II POLYURETHANE B65W200/B60V2
- CONCRETE MASONRY
PRIMER - PRO MAR EXTERIOR BLOCK FILLER
TOPCOAT - 2 COATS A-100 LATEX HOUSE & TRIM, SHEEN TO MATCH
- CONCRETE STUCCO(EXISTING)
2 COATS A-100 LATEX HOUSE & TRIM, SHEEN TO MATCH
- STUCCO
PRIMER - PRO MAR MASONRY CONDITIONER B-46-W21000
TOPCOAT - SUPERPAINT A-80 SERIES A-89 SATIN A-84 GLOSS
- WOOD
PRIMER - A-100 EXTERIOR ALKYD WOOD PRIMER Y-24W20
TOPCOAT - 2 COATS A-100 LATEX HOUSE & TRIM SHEEN TO MATCH ADJACENT SURFACES
- FIELD CUTS/DAMAGE(PRIOR TO PRIME & PAINT)
FIRST & SECOND COAT - CUPRINOL CLEAR WOOD PRESERVATIVE #158-0356
ALL PENETRATIONS INTO FINISHED CLU-LAMS SHALL BE CAULKED WITH "SIKAFLEX" SEALANT
- STEEL TOUCH UP
STEEL THAT HAS BEEN WELDED, CUT OR SCRATCHED IN THE FIELD SHALL BE TOUCHED UP WITH COLD GALVANIZED PAINT



121 SOUTH ELECTION RD. SUITE. 330
DRAPER, UT 84020

PROJECT INFORMATION:

(ANCHOR)
SL01150C
UTAH STATE FAIRPARK
1260 WEST NORTH TEMPLE
SALT LAKE CITY, UTAH 84116
SALT LAKE COUNTY

CURRENT ISSUE DATE:

09/10/20

ISSUED FOR:

CONSTRUCTION

REV.: DATE: DESCRIPTION: BY:

REV.	DATE	DESCRIPTION	BY
A	08/14/20	90% CD	RC
D	09/10/20	100% CD	RC

PLANS PREPARED BY:



7543 Woodley Ave., #201, Van Nuys, CA 91406
Office: (818) 840-0808 Fax: (818) 840-0708

CONSULTANT:

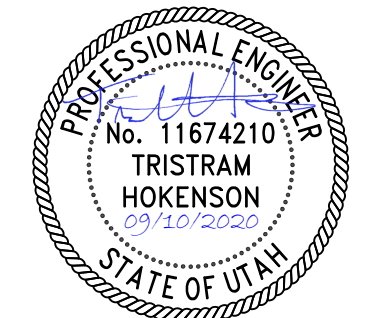


7543 Woodley Ave., #201, Van Nuys, CA 91406
Office: (818) 840-0808 Fax: (818) 840-0708

DRAWN BY: CHK.: APV.:

RC	AB	AB
----	----	----

LICENSURE:



SHEET TITLE:

**ABBREVIATIONS,
SPECIFICATIONS AND
SYMBOLS**

SHEET NUMBER: REVISION:

T-3 **0**
SL01150C

GENERAL NOTES

- ALL CONSTRUCTION AND WORKMANSHIP SHALL CONFORM TO THE DRAWINGS AND GOVERNING CODES.
- THE GENERAL CONTRACTOR SHALL VERIFY ALL DIMENSIONS AND CONDITIONS AT THE JOB SITE AND SHALL BE RESPONSIBLE FOR COORDINATING THE WORK OF ALL TRADES AND CONDITIONS OF ALL WORK AND MATERIALS INCLUDING THOSE FURNISHED BY SUBCONTRACTORS. ANY DISCREPANCIES SHALL BE CALLED TO THE ATTENTION OF THE STRUCTURAL ENGINEER IMMEDIATELY AND SHALL BE RESOLVED BEFORE PROCEEDING WITH THE WORK.
- STRUCTURAL DRAWINGS SHALL WORK IN CONJUNCTION WITH ARCHITECTURAL, MECHANICAL AND ELECTRICAL DRAWINGS.
- DESIGN, MATERIALS, EQUIPMENT, AND PRODUCTS OTHER THAN THOSE DESCRIBED OR INDICATED ON THE DRAWINGS MAY BE CONSIDERED FOR USE PROVIDED PRIOR APPROVAL IS OBTAINED FROM THE STRUCTURAL ENGINEER.
- ALL CONDITIONS SHOWN OR NOTED AS EXISTING ARE BASED ON THE BEST INFORMATION AVAILABLE AT THE TIME OF PREPARATION OF THESE DRAWINGS. NO WARRANTY IS IMPLIED TO THEIR ACCURACY. CONTRACTOR SHALL FIELD VERIFY ALL CONDITIONS. SHOULD CONDITIONS BECOME APPARENT THAT DIFFER FROM THE CONDITIONS SHOWN, THEY SHALL BE BROUGHT TO THE IMMEDIATE ATTENTION OF THE PROFESSIONAL ENGINEER. PROFESSIONAL ENGINEER WILL THEN PREPARE ADDITIONAL DRAWINGS AS MAY BE NEEDED TO ACCOMMODATE THE CONDITIONS AS BROUGHT TO THEIR ATTENTION.
- MECHANICAL EQUIPMENT MUST BE FIRMLY ATTACHED TO THE STRUCTURE. ISOLATORS, FASTENERS, AND OTHER ELEMENTS PROVIDING STABILITY FOR MECHANICAL EQUIPMENT SHALL BE CAPABLE OF TRANSMITTING CODE REQUIRED LOADS, BUT IN NO EVENT LESS THAN A SHEAR LOAD EQUIVALENT TO 0.45 TIMES THE OPERATING WEIGHT OF THE EQUIPMENT.
- WATERPROOFING: SEE ARCHITECTURAL DRAWINGS.
- THE FOUNDATION DESIGN IS BASED ON 2018 IBC TABLE 1806.2. ALLOWABLE SOIL BEARING VALUE IS 1500.
- THE NOTES AND DETAILS ON DRAWINGS SHALL TAKE PRECEDENCE OVER GENERAL STRUCTURAL NOTES AND TYPICAL DETAILS.
- TYPICAL DETAILS MAY NOT NECESSARILY BE CUT ON PLANS, BUT APPLY UNLESS NOTED OTHERWISE.

CONCRETE

- ALL POURED-IN-PLACE CONCRETE SHALL HAVE AN ULTIMATE COMPRESSIVE STRENGTH OF 3000 PSI AT 28 DAYS. UNLESS OTHERWISE NOTED, CEMENT TO BE TYPE-8 FROM TESTED STOCK PER ASTM C150.
- CONCRETE FORM TOLERANCES SHALL BE A615 THE STANDARDS SET BY THE AMERICAN CONCRETE INSTITUTE.
- ALL REINFORCING STEEL, ANCHOR BOLTS, DOWELS OR OTHER INSERTS SHALL BE SECURED IN POSITION AND INSPECTED BY THE LOCAL BUILDING DEPARTMENT INSPECTOR PRIOR TO THE POURING OF ANY CONCRETE.
- NO PIPES OR DUCTS SHALL BE PLACED IN STRUCTURAL CONCRETE UNLESS SPECIFICALLY DETAILED. REFER TO ARCHITECTURAL, MECHANICAL, PLUMBING, AND ELECTRICAL DRAWINGS FOR LOCATIONS.
- FORM EXPOSED CORNERS OF COLUMNS, BEAMS, WALLS, ETC. WITH 3/4" CHAMFERS UNLESS DETAILED OTHERWISE.
- PROVIDE LIGHT BROOM FINISH ON ALL EXPOSED CONCRETE UNLESS NOTED OTHERWISE.

REINFORCING STEEL

- REINFORCING STEEL SHALL CONFORM TO ASTM A615 GRADE 60 U.N.O.
- BARS SHALL BE CLEAN OF MUD, OIL, OR OTHER COATINGS LIKELY TO IMPAIR BONDING.
- ALL REINFORCING SHALL BE SECURED IN PLACE PRIOR TO PLACING CONCRETE OR GROUTING MASONRY. ALL REINFORCING SHALL BE CHAIRED TO ENSURE PROPER CLEARANCES. SUPPORT OF FOUNDATION REINFORCING MUST PROVIDE ISOLATION FROM MOISTURE/CORROSION BY USE OF A PLASTIC OR CONCRETE CHAIR. DUCT-TAPE IS NOT AN ACCEPTABLE MOISTURE/CORROSION PROTECTION.
- REINFORCING STEEL SHALL BE SPLICED AS SHOWN OR NOTED. SPLICES AT OTHER LOCATIONS SHALL BE REVIEWED BY THE STRUCTURAL ENGINEER. ALL VERTICAL WALL REINFORCEMENT SHALL BE CONTINUOUS BETWEEN SPLICE LOCATIONS SHOWN IN THE DRAWINGS.
- ALL GRADE 60 REINFORCING TO BE WELDED SHALL BE ASTM A706.
- CLEAR CONCRETE COVERAGE IS AS FOLLOWS:

CAST AGAINST AND PERMANENTLY EXPOSED TO EARTH EXPOSED TO EARTH OR WEATHER	3"
#6 OR LARGER	2"
#5 AND SMALLER	1-1/2"
COLUMNS (TO TIES)	1-1/2"
BEAMS (TO STIRRUPS)	1-1/2"
FLAT SLABS	3/4"
WALLS	SEE SCHEDULE AND OR DETAILS
ALL OTHER PER LATEST EDITION OF ACI 318	

STRUCTURAL STEEL

- THE LABOR, MATERIALS AND EXECUTION REQUIRED FOR ALL CONCRETE WORK AS INDICATED ON THE DRAWINGS SHALL BE IN ACCORDANCE WITH THOSE APPLICABLE PORTIONS OF CHAPTER 22 OF THE LATEST ADOPTED EDITION OF THE INTERNATIONAL BUILDING CODE.
- STRUCTURAL STEEL NOT ENCASED IN CONCRETE SHALL BE SHOP PAINTED WITH TNMEC99 METAL PRIMER OR APPROVED EQUIVALENT.
- UNLESS NOTED OTHERWISE, ALL BOLTS SHALL BE ASTM A307. THIS INCLUDES EXPANSION/ADHESIVE ANCHORS. BOLTED CONNECTIONS SHALL CONFORM TO AISC SPECIFICATIONS UNLESS NOTED OTHERWISE ON THE DRAWINGS.
- UNLESS NOTED OTHERWISE ALL WELDS PER THE LATEST EDITIONS OF THE AWS STANDARDS SHALL CONFORM TO AISC SPECIFICATIONS. WELDING SHALL BE PERFORMED BY WELDERS HOLDING VALID CERTIFICATES AND HAVING CURRENT EXPERIENCE IN THE TYPE OF WELD SHOWN ON THE DRAWINGS OR NOTES. THESE DRAWINGS DO NOT DISTINGUISH BETWEEN SHOP AND FIELD WELDS.
- CONTRACTOR IS PERMITTED TO CUT AND WELD ANTENNA SUPPORT ASSEMBLY ARMS AS NECESSARY TO MEET THE LENGTH REQUIREMENTS IN THE FIELD. WELDS SHALL CONSIST OF A 3/16" FILLET ALL THE WAY AROUND FOR 1/4" THICK STEEL OR LESS AND 3/8" FILLET WELD FOR STEEL 1/2" THICK OR LESS. CONTRACTOR SHALL RESTORE CORROSION BARRIER WITH AN APPROVED PAINT IN ACCORDANCE WITH BS 729-1971 AND PREN 1029."

STRUCTURAL NOTES (CONTINUATION)

- MATERIAL CONFORMANCE:
A. WIDE FLANGE STEEL SECTIONS PER ASTM A572 OR A992 WITH Fy = 50 KSI
B. PIPES SECTIONS PER ASTM A501 WITH Fy = 36 KSI
C. TUBE STEEL SECTIONS PER ASTM A500 WITH Fy = 46 KSI
D. COLD FORMED STEEL PER ASTM A653 WITH Fy = 50 KSI
E. WELDING ELECTRODES PER AWS CODE, E70XX UNLESS NOTED OTHERWISE ON PLANS
F. ALL OTHER MISCELLANEOUS STEEL SHALL BE ASTM A36 WITH Fy = 36 KSI UNLESS NOTED OTHERWISE ON THE PLANS

ADHESIVE / MECHANICAL ANCHORS

- ALL POST-INSTALLED ANCHORS SHALL BE PER SIMPSON OR HILTI MANUFACTURING AS INDICATED ON THE PLANS.
- MECHANICAL ANCHORS SHALL BE INSTALLED IN ACCORDANCE WITH THE FOLLOWING APPROVAL CODES:
FOR HILTI KWIK BOLT 3 ANCHORS, INSTALLATION SHALL COMPLY WITH ICC-ES ESR-1385 AND LARR 25901 FOR ANCHORAGE TO MASONRY. FOR HILTI KWIK BOLT ANCHORS, INSTALLATION SHALL COMPLY WITH ICC-ES ESR-1917 AND LARR 25701 FOR ANCHORAGE TO CONCRETE.

ADHESIVE ANCHORS SHALL BE INSTALLED IN ACCORDANCE WITH THE FOLLOWING APPROVAL CODES:
FOR SIMPSON SET-XP EPOXY ANCHORS, INSTALLATION SHALL BE IN ACCORDANCE WITH ICC-ES ESR-2508 AND LARR 25744 FOR ANCHORAGE TO CONCRETE, LAPMO UES ER-265 AND LARR 25965 FOR ANCHORAGE TO MASONRY.
FOR HILTI HIT-HY 200 EPOXY ANCHORS, INSTALLATION SHALL BE IN ACCORDANCE WITH ICC ESR-3187 AND LARR 25964 FOR ANCHORAGE TO CONCRETE.

- ALLOW A MINIMUM OF 72 HOURS AFTER NEW CONCRETE IS PLACED PRIOR TO LOCATING MECHANICAL OR ADHESIVE ANCHORS. ALL MECHANICAL/ADHESIVE ANCHORS REQUIRE SPECIAL STRUCTURAL INSPECTION PER THE BUILDING CODE.

MASONRY

- CONCRETE MASONRY UNITS SHALL CONFORM TO ASTM C90, MEDIUM WEIGHT, GRADE N WITH Fm = 1500 PSI.
- MORTAR TYPE S, Fm = 1800 PSI
- PROVIDE EXPANSION JOINTS IN MASONRY WALLS EVERY 24'-0" O.C.
- VERTICAL REINFORCING SHALL BE 1 #5 VERTICAL IN CENTER OF GROUDED CELL CONTINUOUS FULL HEIGHT OF WALL AT ALL CORNERS, INTERSECTIONS, WALL ENDS, BEAM BEARINGS, JAMBS, EACH SIDE OF CONTROL JOINTS AND AT INTERVALS NOT TO EXCEED 48" O.C. UNLESS NOTED OTHERWISE ON THE PLANS. TIE AT 8'-0" O.C. VERTICALLY WITH SINGLE WIRE LOOP TIE BY AA WIRE PRODUCTS COMPANY OR EQUIVALENT. DOWEL VERTICAL REINFORCING TO FOUNDATION WITH DOWELS TO MATCH VERTICAL REINFORCING.
- HORIZONTAL REINFORCING SHALL CONSIST OF 2 #5 CONTINUOUS AT ELEVATED FRAMING ASSEMBLIES. #5 CONTINUOUS AT TOP OF PARAPETS AND FREESTANDING WALLS. PLACE THESE BARS CONTINUOUS THROUGH CONTROL JOINTS. INSTALL BENT BARS TO MATCH HORIZONTAL REINFORCING AT CORNERS AND INTERSECTIONS TO MAINTAIN BOND BEAM CONTINUITY. STANDARD WEIGHT (NO. 9 GAGE WIRE) DUR-O-WALL OR DUR-O-WIRE (OR EQUIVALENT) LADDER TYPE JOINT REINFORCING AT 16" O.C. LAP LADDER TYPE JOINT REINFORCING 12" MINIMUM.
- LAP SPLICES FOR VERTICAL AND HORIZONTAL REINFORCING SHALL BE PER TYPICAL DETAILS. DO NOT SPLICE WITHIN 8'-0" OF CONTROL JOINTS.

WOOD

- IN STUD WALLS, UNLESS NOTED OTHERWISE, INSTALL DOUBLE STUDS AT ALL JAMBS, CORNERS, INTERSECTIONS AND AT ISOLATED BEARING POINTS OF FRAMING MEMBERS ABOVE. EVERY OTHER STUD OF WOOD FRAME BEARING WALL SHALL HAVE A SIMPSON H3 ANCHOR TOP AND BOTTOM, EXCEPT AT THOSE WALLS WHERE PLYWOOD SHEATHING IS NAILED DIRECTLY TO THE TOP AND BOTTOM PLATES. PROVIDE 2X SOLID BLOCKING AT MID-HEIGHT OF BEARING STUD WALLS.
- SAWN LUMBER FRAMING SHALL COMPLY WITH THE LATEST EDITION OF THE GRADING RULES OF THE WMPA OR THE WCLIB. ALL SAWN LUMBER SHALL BE STAMPED WITH THE GRADE MARK OF AN APPROVED LUMBER GRADING AGENCY AND SHALL HAVE MINIMUM PROPERTIES WHICH MEET OR EXCEED THE FOLLOWING WOOD TYPES:

MEMBER	WOOD TYPE	
JOISTS	2X4 (PANELIZED)	D.F. SELECT
	2X4	D.F. #2
	2X6 OR LARGER	D.F. #2
BEAMS	WIDTH OF 4" OR LESS	D.F. #1
	WIDTH GREATER THAN 4"	D.F. SELECT
LEDGERS AND TOP PLATES		D.F.#2
	STUDS	
2X4	D.F. STD	
	2X6 OR LARGER	D.F. #2
POSTS	4X4	D.F. #2
	6X6 OR LARGER	D.F. SELECT

- GLU-LAMINATED BEAMS SHALL HAVE THE FOLLOWING MINIMUM PROPERTIES: Fb = 2,400 PSI, Fy = 240 PSI, E = 1,800,000 PSI. BEAMS CANTILEVERING OVER SUPPORTS SHALL HAVE THE SPECIFIED MINIMUM PROPERTIES TOP AND BOTTOM. ALL BEAMS SHALL BE FABRICATED USING WATERPROOF GLUE. FABRICATION AND HANDLING PER LATEST AITC AND WCLA STANDARDS. BEAMS TO BEAR GRADE STAMP AND AITC STAMP AND CERTIFICATE. CAMBER AS SHOWN ON DRAWINGS. IN THE ABSENCE OF CAMBER SHOWN ON THE PLAN, PROVIDE STANDARD CAMBER. STANDARD CAMBER IS DEFINED AS A RADIUS OF CURVATURE EQUAL TO 2500 FEET.

- PLYWOOD SHALL BE APA "CDX" RATED SHEATHING OR BETTER AND SHALL BEAR THE STAMP OF AN APPROVED TESTING AGENCY. LAY UP PLYWOOD WITH FACE GRAIN PERPENDICULAR TO SUPPORTS. (ON ROOFS WHERE PLYWOOD IS LAYED UP WITH FACE GRAIN PARALLEL TO SUPPORTS, USE A MINIMUM OF 5-PLY PLYWOOD). STAGGER JOINTS. ALL NAILING SHALL BE COMMON NAILS UNLESS NOTED OTHERWISE. WHERE SCREWS ARE INDICATED FOR WOOD TO WOOD ATTACHMENTS, USE WOOD SCREWS. ALL PLYWOOD SHALL BE OF THE FOLLOWING NOMINAL THICKNESS, SPAN/INDEX RATIO AND SHALL BE ATTACHED AS FOLLOWS UNLESS NOTED OTHERWISE.

USE	THICKNESS	SPAN/INDEX RATIO	ATTACHMENT EDGE	INTERMEDIATE
ROOF	5/8"	32/16	10d@6" O.C.	10d@12" O.C.
FLOOR	3/4"	40/20	10d@6" O.C.	10d@12" O.C.
FLOOR	3/4"	40/20	SCREWS@6" O.C.	SCREWS@12" O.C.
SHEAR WALL	3/8"	24/0	8d@6" O.C.	8d@12" O.C.

FIBER REINFORCED PLASTIC (FRP)

- ALL CONNECTIONS SHALL BE 5/8" DIAMETER FIBER BOLTS, U.N.O. (PULTEX 1625 OR EQUIVALENT) AND ALL HOLES UNLESS NOTED OTHERWISE SHALL BE PUNCHED OR DRILLED 1/16" LARGER IN DIAMETER THAN THE BOLTS THEY RECEIVE.
- ALL CONTACT SURFACES OF FRP STRUCTURAL SHAPES AND/OR HYBRID POLYMER COMPOSITE ARCHITECTURAL PANELS SHALL BE BONDED PER MANUFACTURER'S RECOMMENDATIONS. USE 1/4" FRP SCREEN SKIN AND EPOXY GLUE SKIN TO FRAMING MEMBERS WITH 3/8" DIAMETER FIBER BOLTS AT 24" O.C. EIFS SHALL MATCH BUILDING AND BE ATTACHED IN ACCORDANCE WITH THE MANUFACTURER'S RECOMMENDATIONS.
- ALL LIQUID NAILS MULTI-PURPOSE CONSTRUCTION ADHESIVE SHALL BE PER MACCO OR APPROVED EQUIVALENT. BONDING SURFACE SHALL BE CAREFULLY PREPARED TO ENSURE A GOOD ADHESIVE BOND BY WIPING THE SURFACE WITH A STERILIZING SOLVENT, REMOVING SURFACE GLOSS BY LIGHT SANDING, APPLY ADHESIVE, AND FASTEN OR CLAMP BONDING SURFACES UNTIL CURED.
- ALL EXPOSED JOINTS AT ARCHITECTURAL PANELS AND SHAPES (EDGES, CORNERS, ETC.) SHALL BE CAULKED WITH AN APPROVED FLEXIBLE POLYURETHANE SEALANT/CAULK.
- ALL OPEN ENDS OR GAPS OF SCREEN FRAMING WHERE WATER SUSCEPTIBLE TO WATER INFILTRATION SHALL BE WEATHER CAPPED OR SEALED BY THE GENERAL CONTRACTOR.
- ALL FRP MATERIAL SHALL CONFORM TO ASTM D638, 695, 790, 2344, 732, ADDITIONALLY WITH BOLTS CONFORMING TO ASTM B565. ALL FRP MATERIAL SHALL HAVE THE FOLLOWING MINIMUM PROPERTIES FOR ALLOWABLE STRESS DESIGN (BASED ON A SAFETY FACTOR OF 7). VALUES ARE REPRESENTED IN KSI.

MECHANICAL PROPERTY	LENGTHWISE	CROSSWISE
TENSILE STRESS Ft	4.3	1.0
COMPRESSIVE STRESS Fc	4.3	2.1
FLEXURAL STRESS Fy	4.3	1.4
MODULUS OF ELASTICITY E	2.8X10 ⁶	---
SHEAR Fv	0.6	---
BOLT SHEAR	1.2	---

SPECIAL STRUCTURAL INSPECTION - STRUCTURAL ONLY

- SPECIAL STRUCTURAL INSPECTION IS TO BE PROVIDED FOR THE ITEMS LISTED BELOW IN ADDITION TO THE INSPECTIONS CONDUCTED BY THE BUILDING JURISDICTION. SPECIAL STRUCTURAL INSPECTION IS REQUIRED FOR THE FOLLOWING:

VERIFICATION AND INSPECTION	INSPECTION TYPE	REFERENCE STANDARD
	CONTINUOUS	PERIODIC
STEEL CONSTRUCTION		
WELDING		
AT FLOOR AND ROOF DECK WELDS		AWS D1.3
FOR REINFORCING STEEL FOR STRUCTURAL STEEL		AWS D1.4, ACI 318
HIGH STRENGTH BOLTING	X	AISC 360-16, 2014 RCSC
CONCRETE CONSTRUCTION		
REINFORCING STEEL	X	ACI 318;
POST-INSTALLED ANCHORS	X	ACI 318;
USE OF REQUIRED DESIGN MIX		ACI 318;
MASONRY CONSTRUCTION		TMS 402 AND 602/ ACI 530
REINFORCING STEEL		
GROUT PLACEMENT		
CLEANOUTS PRIOR TO CLOSURE		
POST-INSTALLED ANCHORS		

- THE SPECIAL INSPECTOR SHALL OBSERVE THE WORK ASSIGNED TO BE CERTAIN THAT IT CONFORMS TO THE APPROVED DESIGN DRAWINGS AND SPECIFICATIONS. THE SPECIAL INSPECTOR IS NOT AUTHORIZED TO APPROVE DEVIATIONS FROM THE DESIGN DRAWINGS OR SPECIFICATIONS AND ALL DEVIATIONS MUST BE APPROVED BY THE ENGINEER OF RECORD PRIOR TO PROCEEDING WITH THE WORK. ALL REQUESTS FOR DEVIATIONS SHALL BE INITIATED BY THE CONTRACTOR VIA A WRITTEN REQUEST FOR INFORMATION.
- THE SPECIAL INSPECTOR SHALL FURNISH INSPECTION REPORTS TO THE BUILDING OFFICIAL AND TO THE ENGINEER OF RECORD. ALL DISCREPANCIES SHALL BE BROUGHT TO THE IMMEDIATE ATTENTION OF THE CONTRACTOR FOR CORRECTION, THEN, IF UNCORRECTED TO THE DESIGN AUTHORITY AND THE BUILDING OFFICIAL.
- CONTRACTOR IS RESPONSIBLE FOR PROVIDING THE SPECIAL INSPECTOR ACCESS TO ALL ITEMS REQUIRING SPECIAL INSPECTION. INSPECTOR IS NOT AUTHORIZED TO OPERATE CONTRACTOR'S EQUIPMENT.
- FOR ADDITIONAL INFORMATION ON SPECIAL STRUCTURAL INSPECTIONS, CONTACT THE ENGINEER OF RECORD PRIOR TO START OF CONSTRUCTION.



121 SOUTH ELECTION RD. SUITE. 330
DRAPER, UT 84020

PROJECT INFORMATION:

(ANCHOR)
SL01150C
UTAH STATE FAIRPARK
1260 WEST NORTH TEMPLE
SALT LAKE CITY, UTAH 84116
SALT LAKE COUNTY

CURRENT ISSUE DATE:

09/10/20

ISSUED FOR:

CONSTRUCTION

REV.: DATE: DESCRIPTION: BY:

A	08/14/20	90% CD	RC
D	09/10/20	100% CD	RC

PLANS PREPARED BY:



7543 Woodley Ave., #201, Van Nuys, CA 91406
Office: (818) 840-0808 Fax: (818) 840-0708

CONSULTANT:

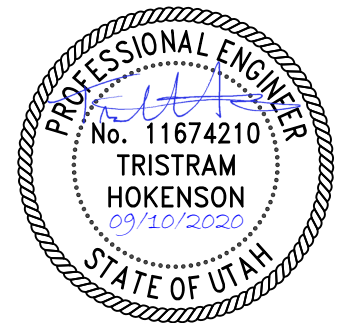


7543 Woodley Ave., #201, Van Nuys, CA 91406
Office: (818) 840-0808 Fax: (818) 840-0708

DRAWN BY: CHK.: APV.:

RC	AB	AB
----	----	----

LICENSURE:



SHEET TITLE:

GENERAL STRUCTURAL NOTES

SHEET NUMBER: REVISION:

T-4

0

SL01150C

REV.: DATE: DESCRIPTION: BY:

△ A	08/14/20	90% CD	RC
△ D	09/10/20	100% CD	RC

PLANS PREPARED BY:



a division of **advantage engineers**

7543 Woodley Ave., #201, Van Nuys, CA 91406
Office: (818) 840-0808 Fax: (818) 840-0708

CONSULTANT:




a division of **advantage engineers**

7543 Woodley Ave., #201, Van Nuys, CA 91406
Office: (818) 840-0808 Fax: (818) 840-0708

DRAWN BY: CHK.: APV.:

RC	AB	AB
----	----	----

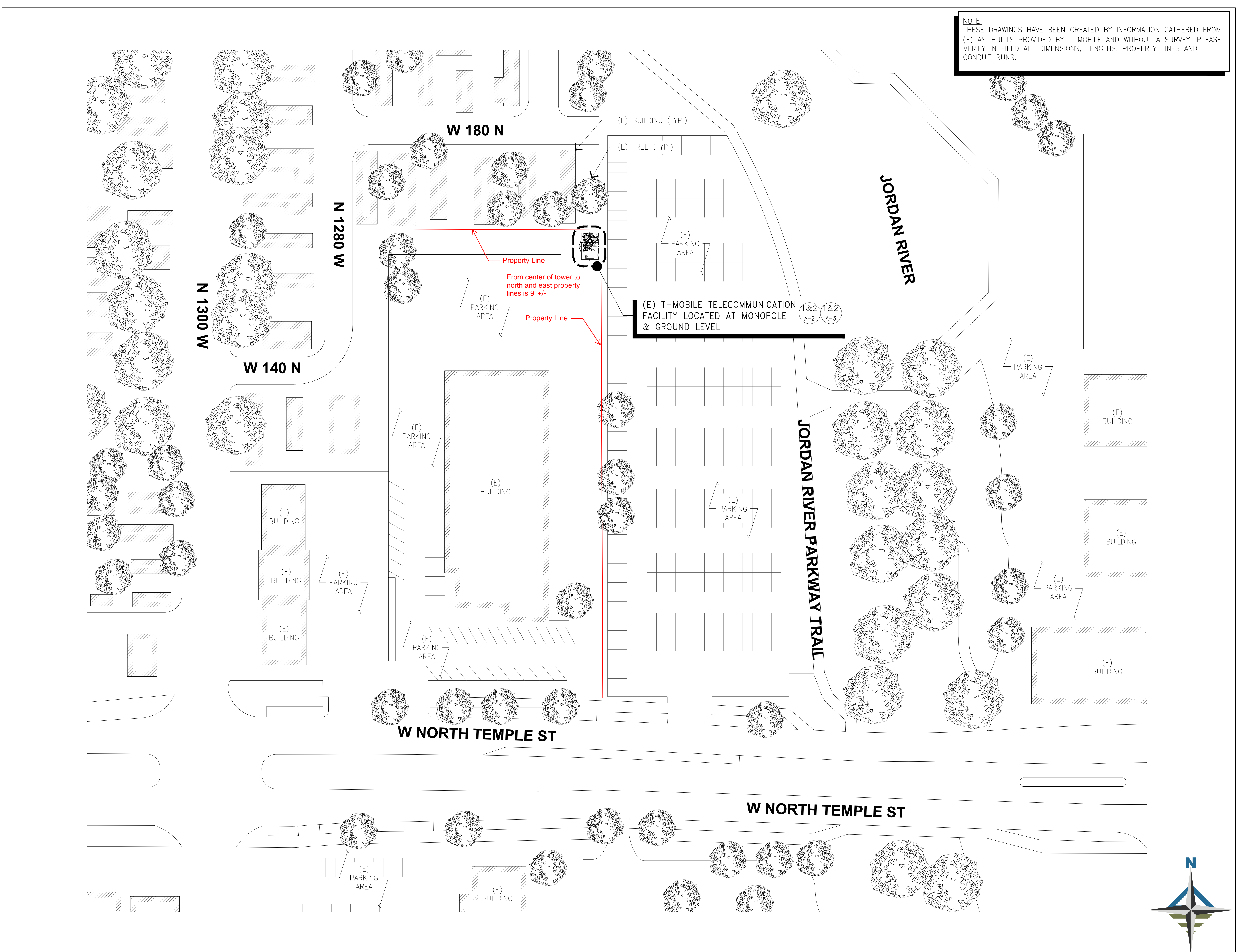
LICENSURE:



SHEET TITLE:
OVERALL SITE PLAN

SHEET NUMBER: **A-1** REVISION: **0**
SL01150C

NOTE:
THESE DRAWINGS HAVE BEEN CREATED BY INFORMATION GATHERED FROM (E) AS-BUILTS PROVIDED BY T-MOBILE AND WITHOUT A SURVEY. PLEASE VERIFY IN FIELD ALL DIMENSIONS, LENGTHS, PROPERTY LINES AND CONDUIT RUNS.



PROJECT INFORMATION:

(ANCHOR)
SL01150C
UTAH STATE FAIRPARK
1260 WEST NORTH TEMPLE
SALT LAKE CITY, UTAH 84116
SALT LAKE COUNTY

CURRENT ISSUE DATE:

09/10/20

ISSUED FOR:

CONSTRUCTION

REV.: DATE: DESCRIPTION: BY:

REV.	DATE	DESCRIPTION	BY
A	08/14/20	90% CD	RC
D	09/10/20	100% CD	RC

PLANS PREPARED BY:



7543 Woodley Ave., #201, Van Nuys, CA 91406
Office: (818) 840-0808 Fax: (818) 840-0708

CONSULTANT:

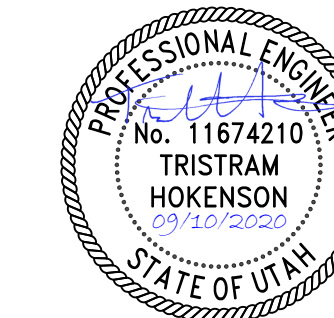


7543 Woodley Ave., #201, Van Nuys, CA 91406
Office: (818) 840-0808 Fax: (818) 840-0708

DRAWN BY: CHK.: APV.:

RC AB AB

LICENSURE:



SHEET TITLE:

ANTENNA LAYOUT PLANS

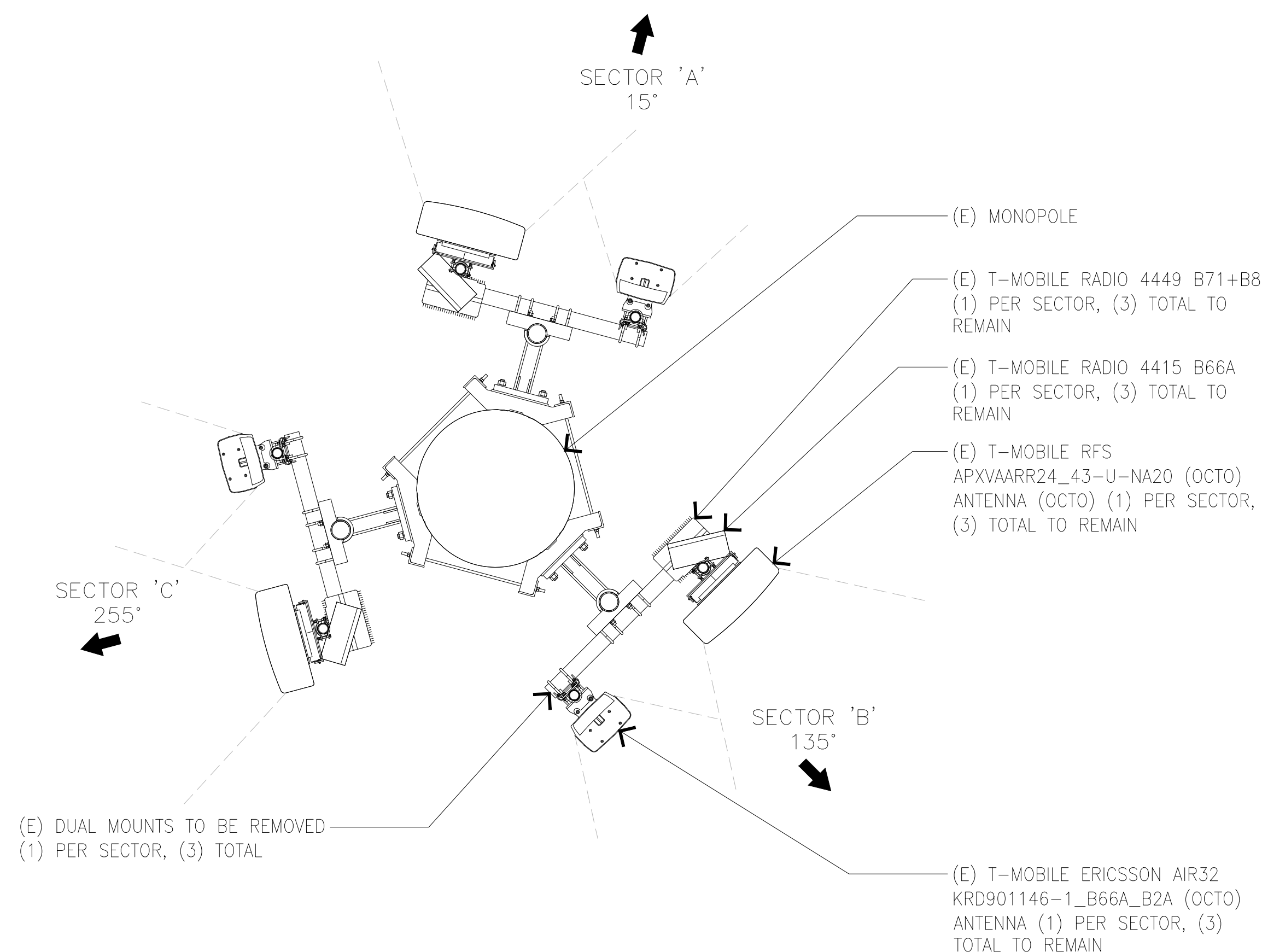
SHEET NUMBER: REVISION:

A-2

0

SL01150C

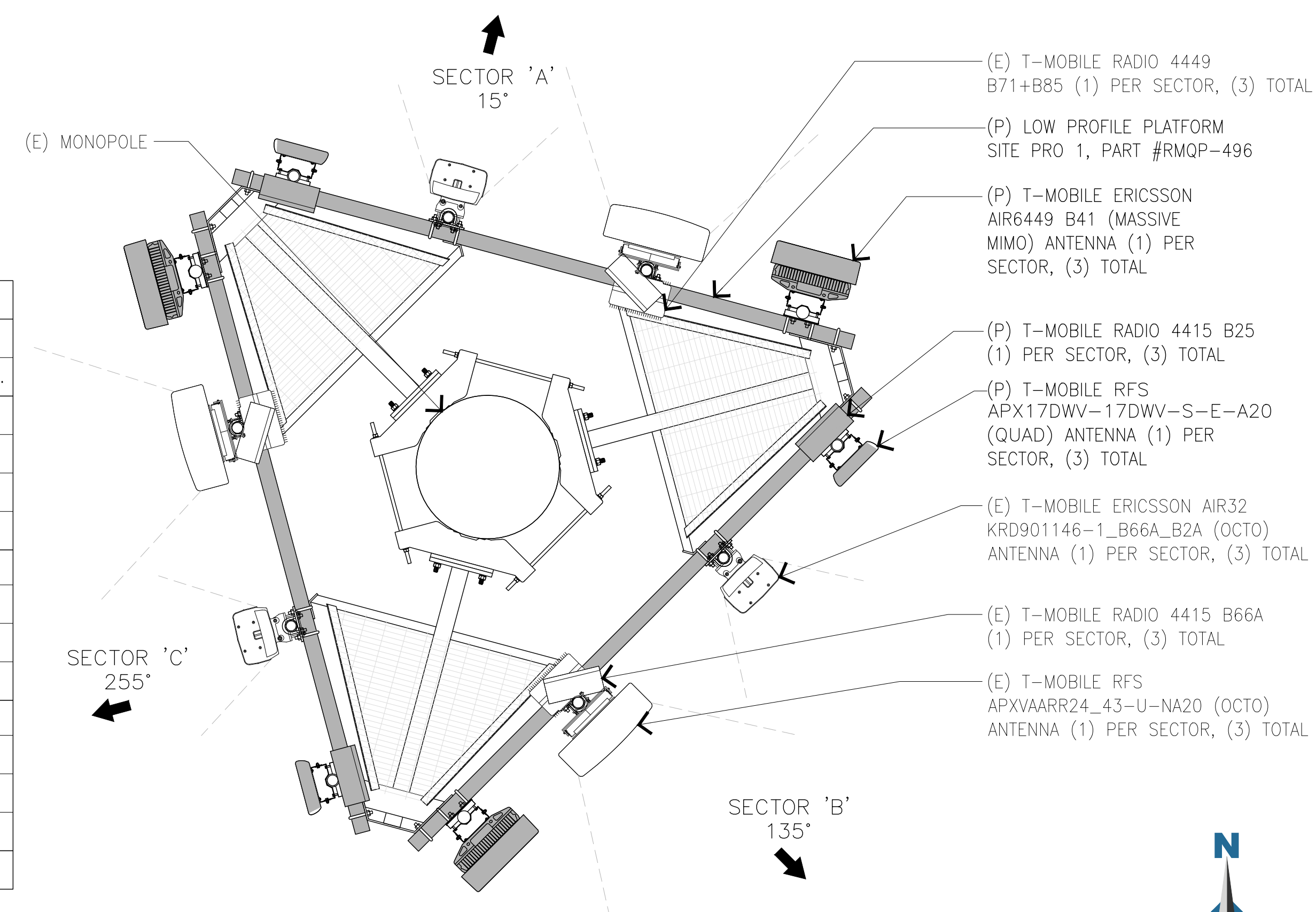
EXISTING ANTENNA SCHEDULE													
SECTOR	AZIMUTH	RAD CENTER	ANTENNA			HCS/COAX CABLE		POWER		COAX JUMPER	FIBER JUMPER	RRU/TMA/SMART BIAS T	
			MODEL NO.	SIZE	QTY.	SIZE & TYPE	QTY.	SIZE & TYPE	QTY.			QTY.	QTY.
SECTOR 'A'	15°	±75°-0"	APXVAARR24_43-U-NA20 (OCTO)	95.9"	1	6X12 HCS 6AWG 30M	2	-	-	-	4	RADIO 4449 B71+B85/RADIO 4415 B66A	1/1
			AIR32 KRD901146-1_B66A_B2A (OCTO)	56.6"	1			-	-	-	4	-	-
SECTOR 'B'	135°	±75°-0"	APXVAARR24_43-U-NA20 (OCTO)	95.9"	1	9X18 HCS 30M	1	-	-	-	4	RADIO 4449 B71+B85/RADIO 4415 B66A	1/1
			AIR32 KRD901146-1_B66A_B2A (OCTO)	56.6"	1			-	-	-	4	-	-
SECTOR 'C'	255°	±75°-0"	APXVAARR24_43-U-NA20 (OCTO)	95.9"	1	9X18 HCS 30M	1	-	-	-	4	RADIO 4449 B71+B85/RADIO 4415 B66A	1/1
			AIR32 KRD901146-1_B66A_B2A (OCTO)	56.6"	1			-	-	-	4	-	-
TOTAL	-	-	-	-	6	-	3	-	-	-	24	-	6



(E) EXISTING ANTENNA LAYOUT PLAN

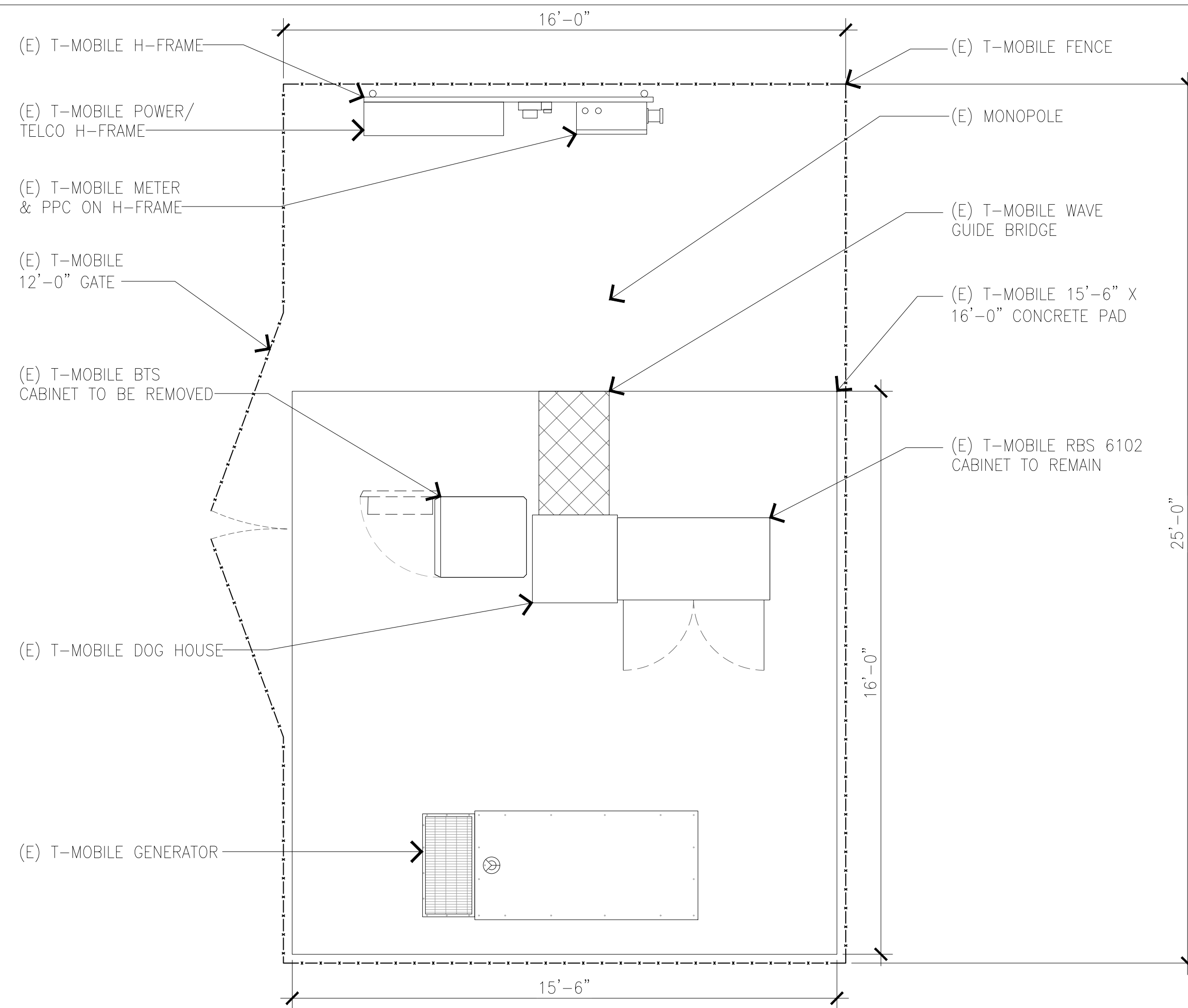
SCALE: 1/2"=1'-0" 1

FINAL ANTENNA SCHEDULE													
SECTOR	AZIMUTH	RAD CENTER	ANTENNA			HCS/COAX CABLE		POWER		COAX JUMPER	FIBER JUMPER	RRU/TMA/SMART BIAS T	
			MODEL NO.	SIZE	QTY.	SIZE & TYPE	QTY.	SIZE & TYPE	QTY.			QTY.	QTY.
SECTOR 'A'	15°	±75°-0"	APX17DWV-17DWV-S-E-A20 (QUAD)	75.8"	1	6X12 HCS 6AWG 30M	2	-	-	-	2	RADIO 4415 B25	1
			AIR32 KRD901146-1_B66A_B2A (OCTO)	56.6"	1			-	-	-	4	-	-
			APXVAARR24_43-U-NA20 (OCTO)	95.9"	1			-	-	-	4	RADIO 4449 B71+B85/RADIO 4415 B66A	1/1
			AIR6449 B41 (MASSIVE MIMO)	33.1"	1			-	-	-	8	-	-
SECTOR 'B'	135°	±75°-0"	APX17DWV-17DWV-S-E-A20 (QUAD)	75.8"	1	6X12 HCS 6AWG 30M	2	-	-	-	2	RADIO 4415 B25	1
			AIR32 KRD901146-1_B66A_B2A (OCTO)	56.6"	1			-	-	-	4	-	-
			APXVAARR24_43-U-NA20 (OCTO)	95.9"	1			-	-	-	4	RADIO 4449 B71+B85/RADIO 4415 B66A	1/1
			AIR6449 B41 (MASSIVE MIMO)	33.1"	1			-	-	-	8	-	-
SECTOR 'C'	255°	±75°-0"	APX17DWV-17DWV-S-E-A20 (QUAD)	75.8"	1	6X12 HCS 6AWG 30M	2	-	-	-	2	RADIO 4415 B25	1
			AIR32 KRD901146-1_B66A_B2A (OCTO)	56.6"	1			-	-	-	4	-	-
			APXVAARR24_43-U-NA20 (OCTO)	95.9"	1			-	-	-	4	RADIO 4449 B71+B85/RADIO 4415 B66A	1/1
			AIR6449 B41 (MASSIVE MIMO)	33.1"	1			-	-	-	8	-	-
TOTAL	-	-	-	-	12	-	4	-	-	-	54	-	9



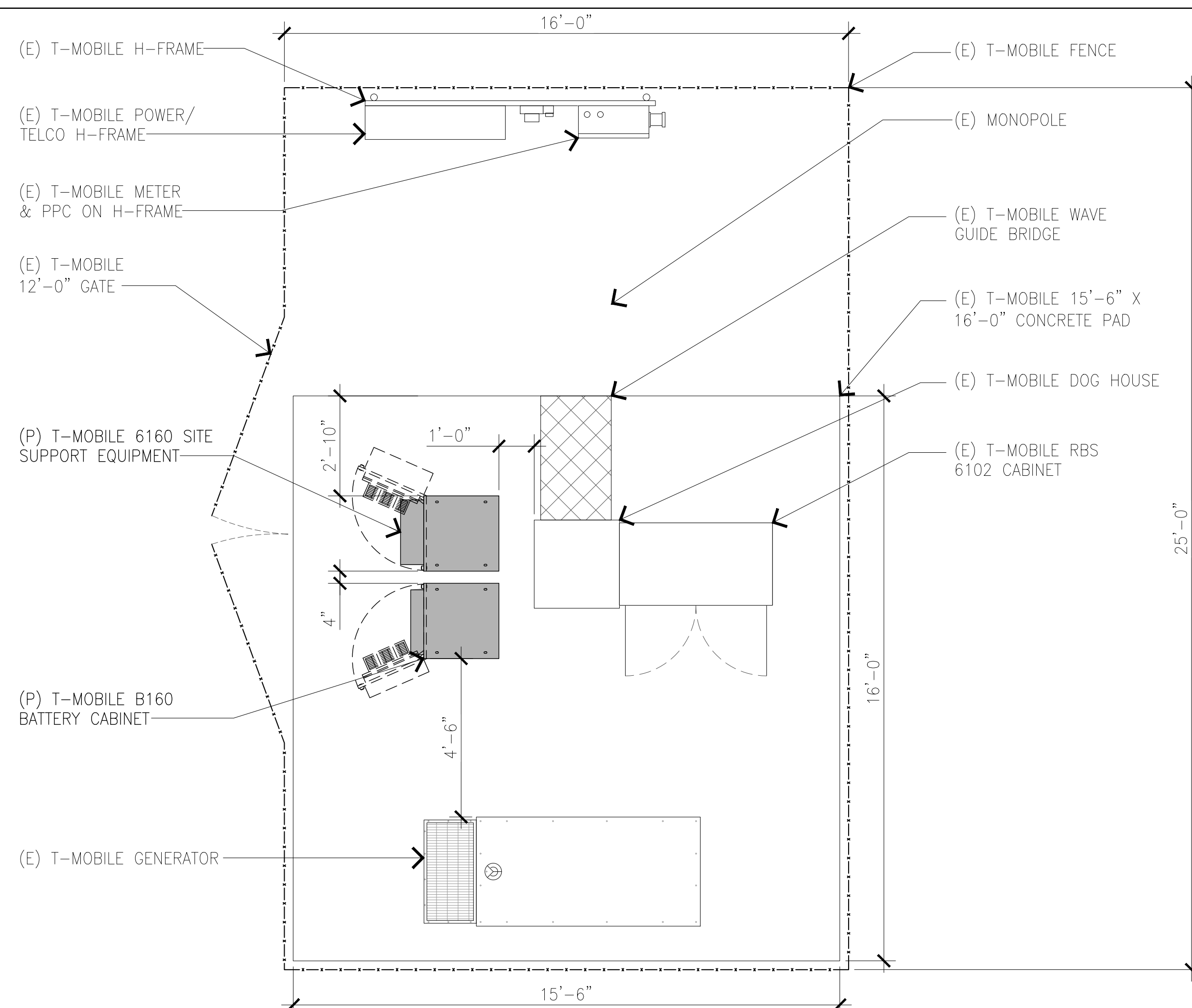
(P) PROPOSED ANTENNA LAYOUT PLAN

SCALE: 1/2"=1'-0" 2



(E) EQUIPMENT LAYOUT PLAN AT GROUND LEVEL

SCALE: 1/2"=1'-0" 0 1' 2' 4' 1



- EQUIPMENT NOTES:**
1. ADD (1) PROPOSED 6160 SITE SUPPORT CABINET
 2. ADD (1) PROPOSED B160 BATTERY CABINET
 3. ADD (3) BB6630 (FOR L2500) AND (1) BB6648 (FOR N2500) TO PROPOSED 6160 SITE SUPPORT CABINET
 4. KEEP (2) BB6630 AND (1) DUW30 TO EXISTING RBS 6102 CABINET
 5. ADD (1) DUG20 AND (1) BB6630 TO EXISTING RBS 6102 CABINET
 6. ADD (2) 6X12 HCS 6AWG (30M)
 7. REMOVE (1) 6X18 HCS (30M)
 8. KEEP (12) EXISTING 7/8" COAX
 9. ADD (1) PROPOSED PSU 4813



(P) EQUIPMENT LAYOUT PLAN AT GROUND LEVEL

SCALE: 1/2"=1'-0" 0 1' 2' 4' 2

T-Mobile
 Stick Together

121 SOUTH ELECTION RD. SUITE. 330
 DRAPER, UT 84020

PROJECT INFORMATION:

(ANCHOR)
 SL01150C
 UTAH STATE FAIRPARK
 1260 WEST NORTH TEMPLE
 SALT LAKE CITY, UTAH 84116
 SALT LAKE COUNTY

CURRENT ISSUE DATE:

09/10/20

ISSUED FOR:

CONSTRUCTION

REV.: DATE: DESCRIPTION: BY:

REV.	DATE	DESCRIPTION	BY
A	08/14/20	90% CD	RC
D	09/10/20	100% CD	RC

PLANS PREPARED BY:

Synergy
 a division of advantage engineers

7543 Woodley Ave., #201, Van Nuys, CA 91406
 Office: (818) 840-0808 Fax: (818) 840-0708

CONSULTANT:

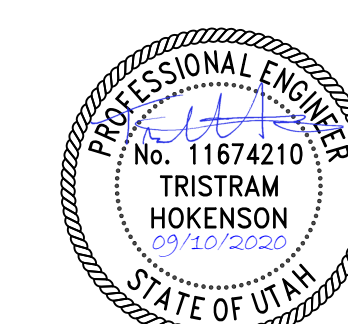
Synergy
 a division of advantage engineers

7543 Woodley Ave., #201, Van Nuys, CA 91406
 Office: (818) 840-0808 Fax: (818) 840-0708

DRAWN BY: CHK.: APV.:

RC	AB	AB
----	----	----

LICENSURE:



SHEET TITLE:

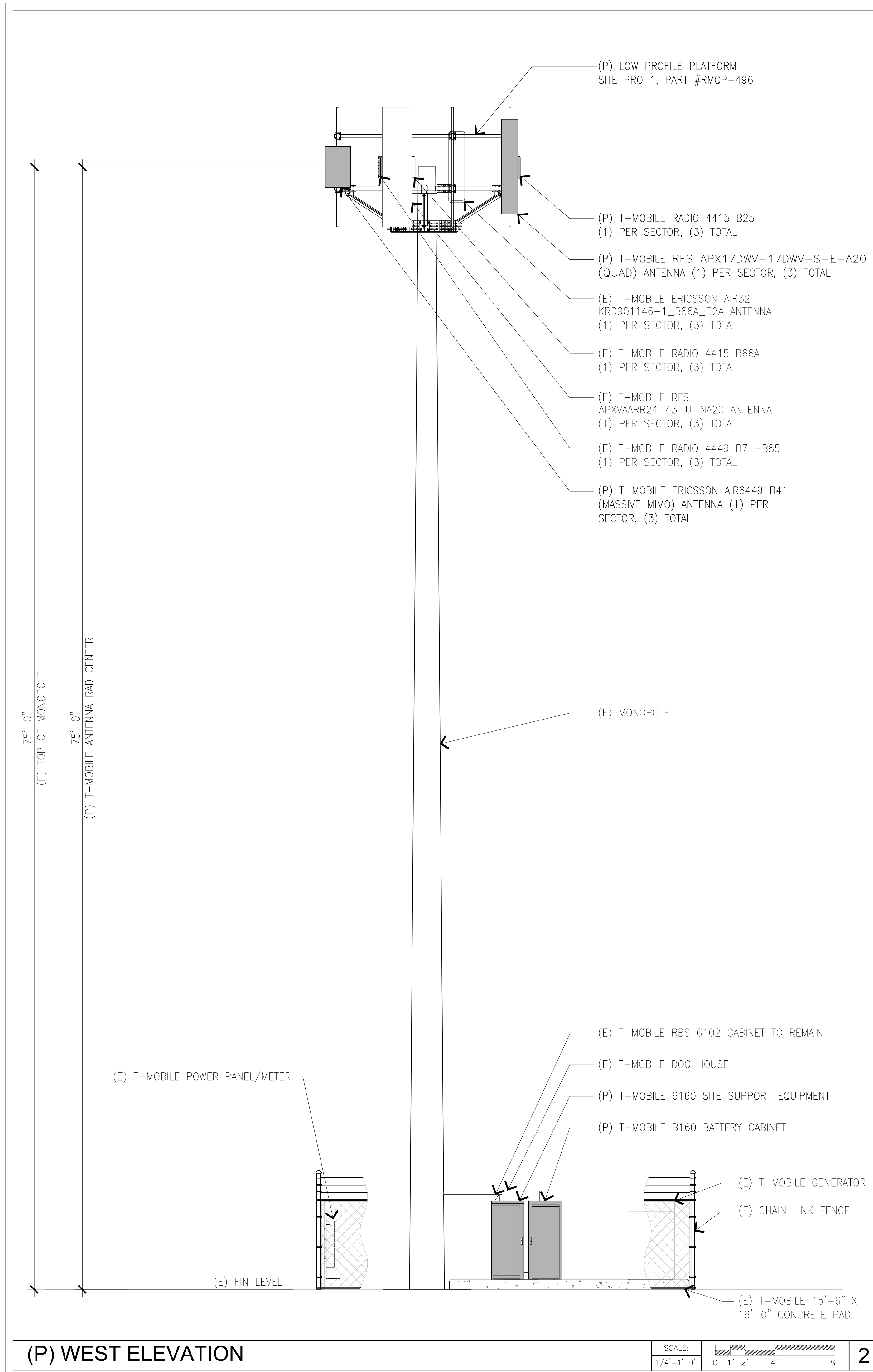
EQUIPMENT LAYOUT PLANS

SHEET NUMBER: REVISION:

A-3

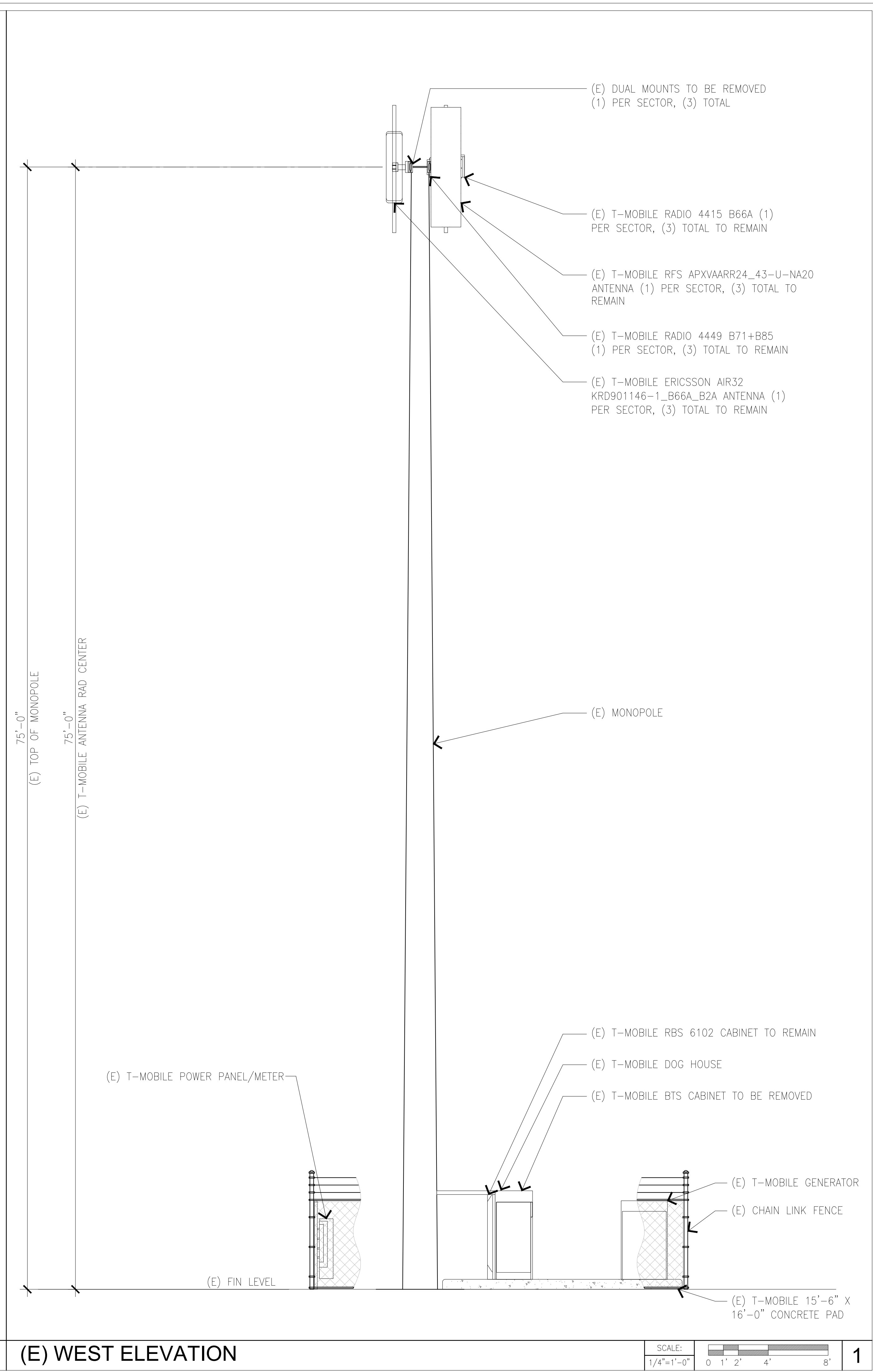
0

SL01150C



(P) WEST ELEVATION

SCALE: 1/4"=1'-0" 0 1' 2' 4' 8' 2



(E) WEST ELEVATION

SCALE: 1/4"=1'-0" 0 1' 2' 4' 8' 1

T-Mobile
Stick Together[®]
121 SOUTH ELECTION RD. SUITE. 330
DRAPER, UT 84020

PROJECT INFORMATION:
(ANCHOR)
SL01150C
UTAH STATE FAIRPARK
1260 WEST NORTH TEMPLE
SALT LAKE CITY, UTAH 84116
SALT LAKE COUNTY

CURRENT ISSUE DATE:
09/10/20

ISSUED FOR:
CONSTRUCTION

REV.: DATE: DESCRIPTION: BY:

A	08/14/20	90% CD	RC
D	09/10/20	100% CD	RC

PLANS PREPARED BY:
Synergy
a division of **advantage engineers**
7543 Woodley Ave., #201, Van Nuys, CA 91406
Office: (818) 840-0808 Fax: (818) 840-0708

CONSULTANT:
Synergy
a division of **advantage engineers**
7543 Woodley Ave., #201, Van Nuys, CA 91406
Office: (818) 840-0808 Fax: (818) 840-0708

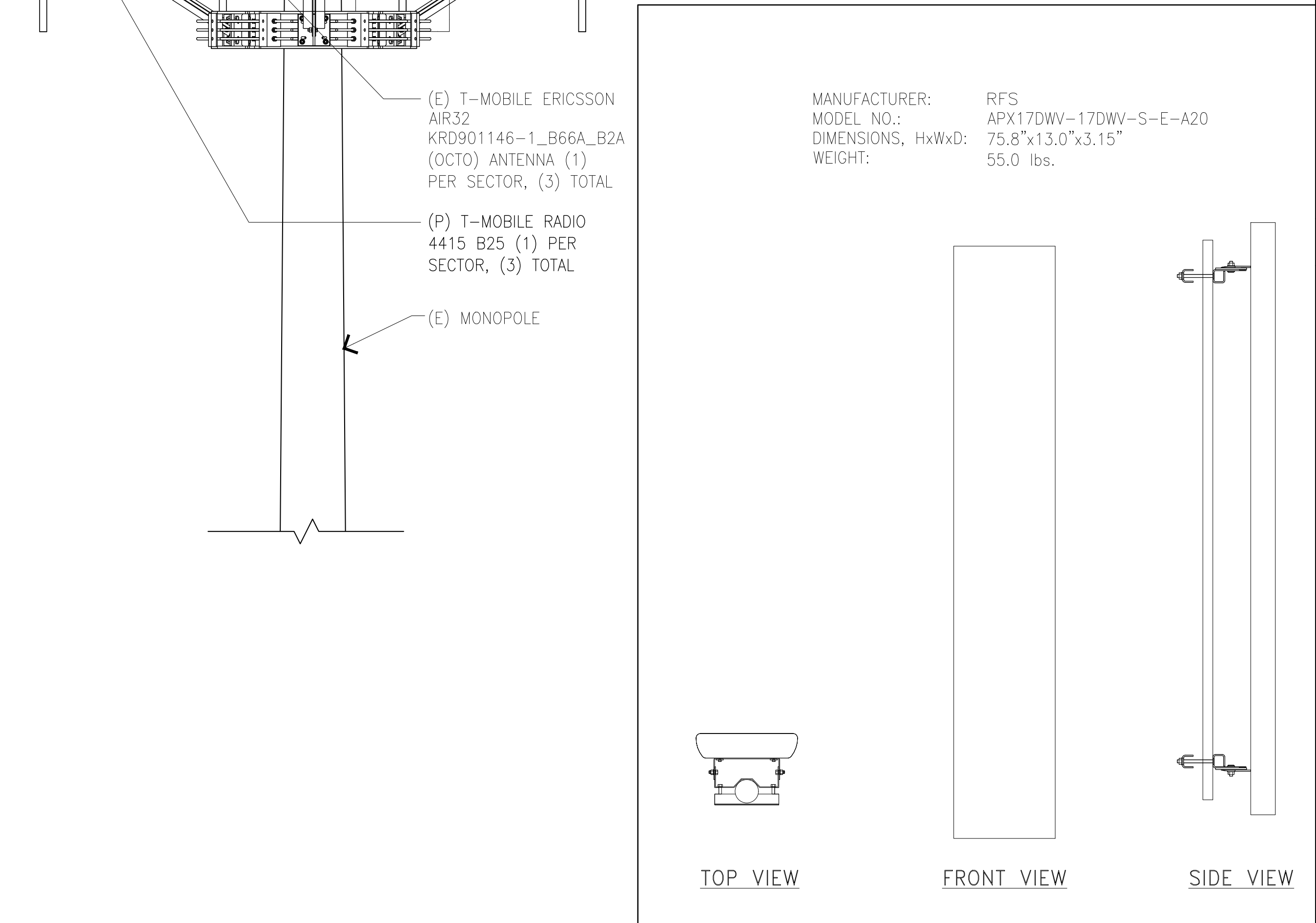
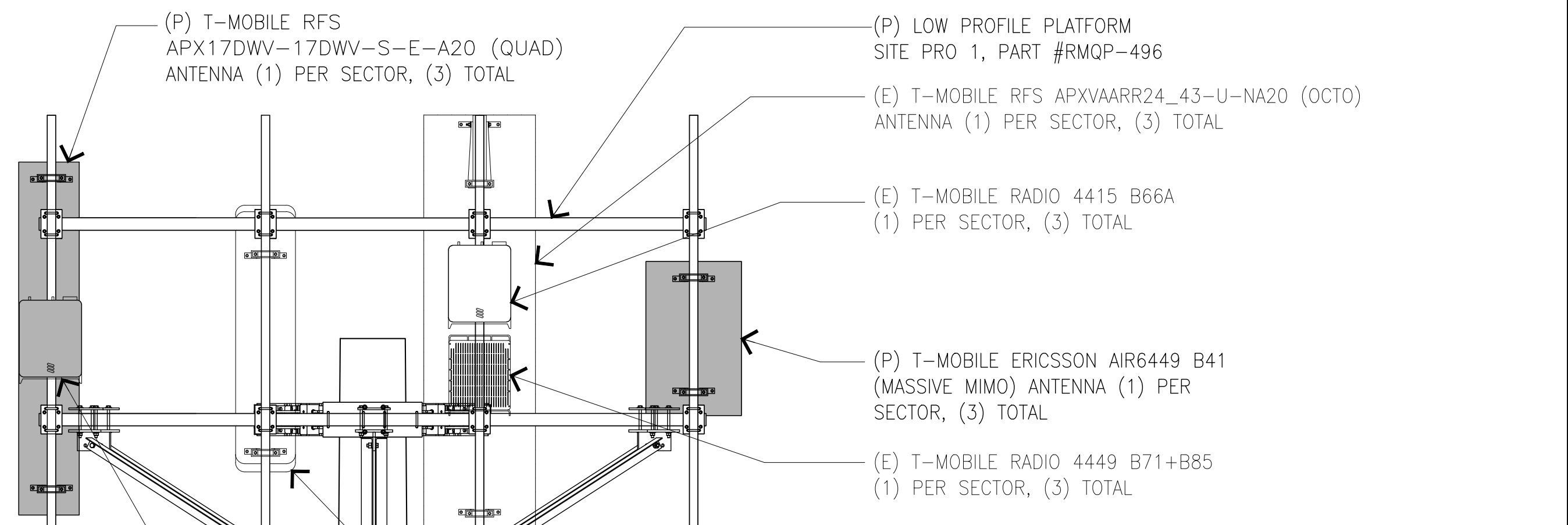
DRAWN BY: CHK.: APV.:

RC	AB	AB
----	----	----

LICENSURE:

SHEET TITLE:
ELEVATIONS

SHEET NUMBER: **A-4** REVISION: **0**
SL01150C

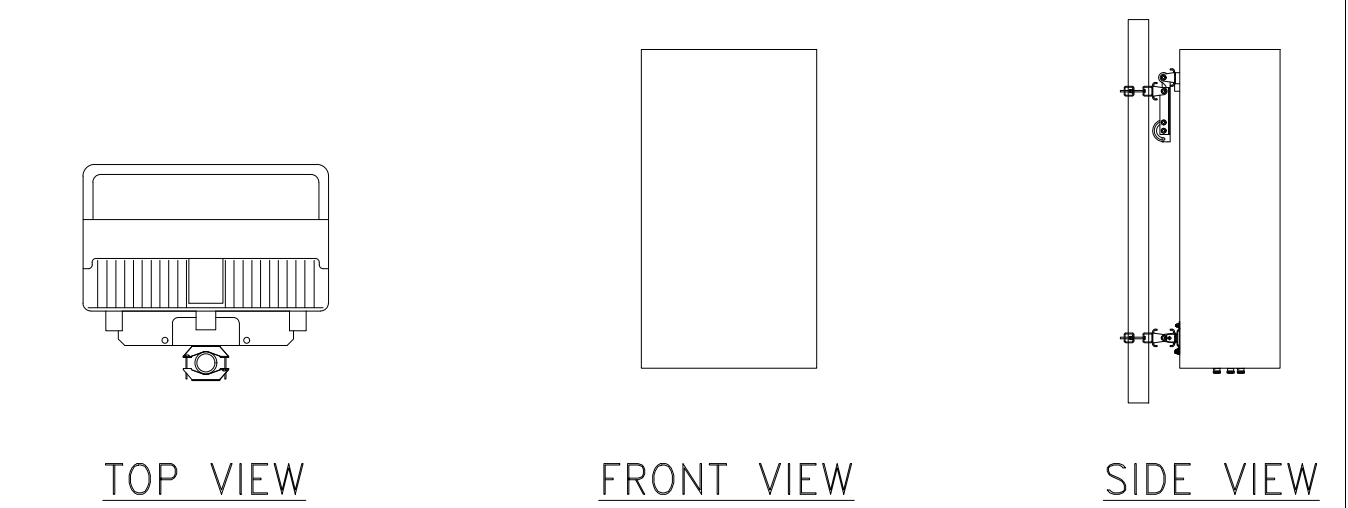


VOLTAGE BOOSTER

DIMENSIONS, WxDxH: (19"x14.3"x1.7")
 OPERATING TEMPERATURE: -40 TO +60°C
 INPUT VOLTAGE: -38 TO -58.5 VOLTS
 INPUT CURRENT, MAX: 200A
 FUSE RATING: 30A, 40A OR 50A



MANUFACTURER: ERICSSON
 MODEL NO.: AIR6449 B41
 DIMENSIONS, HxWxD: 33.1"x20.6"x8.6"
 WEIGHT: 104.0 lbs.



PSU 4813 VOLTAGE BOOSTER SCALE: 4 NTS

RADIO 4415 B25

SPECIFICATION	
MAX WIND LOAD: @ 50M/SEC=	260N
DIMENSION H x W x D:	16.5"x 13.4"x 5.9"
WEIGHT:	46 lbs (21 kg)
BREAKER SIZE =	25A
DC POWER CONSUMPTION =	670W

BANDS		
	B2/B25	B66A
OUTPUT POWER	4X40(W)	4X40(W)
DL IBW	60(65) 40 20 (MHz)	70(MHz)
UL IBW	60(65) (MHz)	70 (MHz)

AIR6449 B41 SCALE: 1 NTS

ERICSSON BASEBAND UNIT 6648

DC POWER SUPPLY
 NOMINAL VOLTAGE: -48VDC
 TEMPERATURE: 0 TO + 55 DEG C
 DIMENSION: 19" W X 13.86"D
 WEIGHT: 16.53 lbs

TYPICAL ANTENNA LAYOUT SCALE: 8 NTS

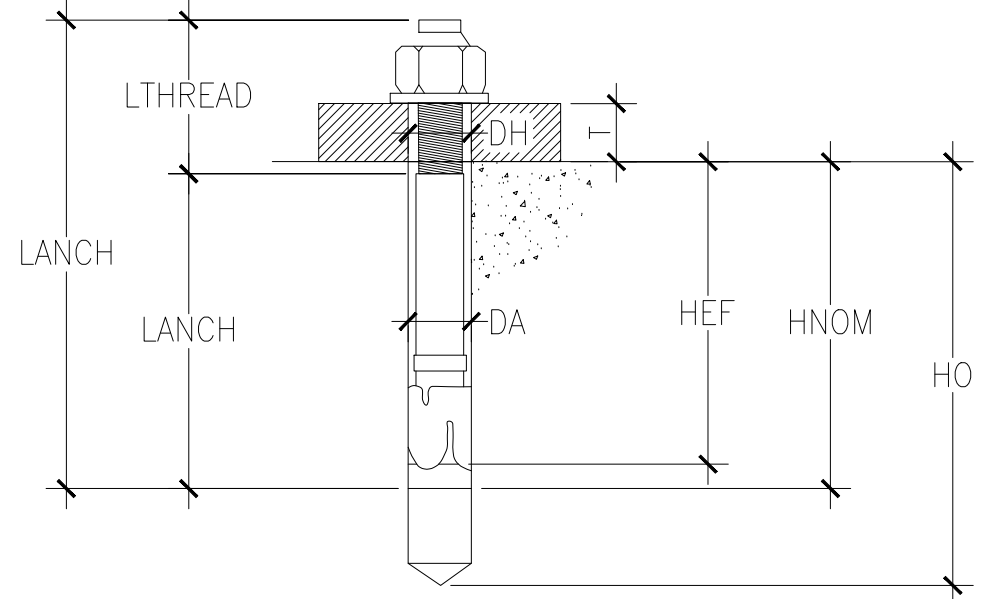
APX17DWV-17DWV-S-E-A20 SCALE: 6 NTS

RADIO 4415 B25 DETAIL SCALE: 5 NO SCALE

BASEBAND 6648 SPECIFICATION SCALE: 2 NTS

INSTALLATION NOTES FOR POST-INSTALLED ANCHORS:

- CENTER OF ANCHORS TO HAVE A MINIMUM OF 12" DISTANCE TO CONCRETE EDGES/SEAMS AND OTHERS EXISTING OR ABANDONED ANCHORS. CONTRACTOR SHALL FIELD VERIFY CONCRETE THICKNESS PER TABLE BELOW.
- CONTRACTOR SHALL SCAN FOR AND LOCATE EXISTING REBAR BEFORE DRILLING. DO NOT CUT OR DAMAGE FOUNDATION REBAR. IF REBAR IS ENCOUNTERED DURING DRILLING OPERATIONS, NOTIFY EOR IMMEDIATELY. MINOR ADJUSTMENT TO ANCHOR LOCATION MAY BE REQUIRED.
- CONTRACTOR SHALL USE EQUIPMENT MANUFACTURER'S BOLTING LAYOUT AND SPECIFICATIONS. SPECIAL INSPECTIONS REQUIRED DURING INSTALLATION OF ANCHORS.
- MANUAL CLEANING OF THE DRILLED HOLE IS REQUIRED ACCORDING TO ANCHOR MANUFACTURER INSTRUCTIONS AND ICC-ES EVALUATION REPORT NO. ESR-1917.
- ABANDONED ANCHORS TO BE REMOVED OR CUT FLUSH WITH CONCRETE SURFACE. ANY REMAINING VOIDS SHALL BE FILLED WITH HILT HIT-RE 500 V3 EPOXY (ICC ESR NO.3814).



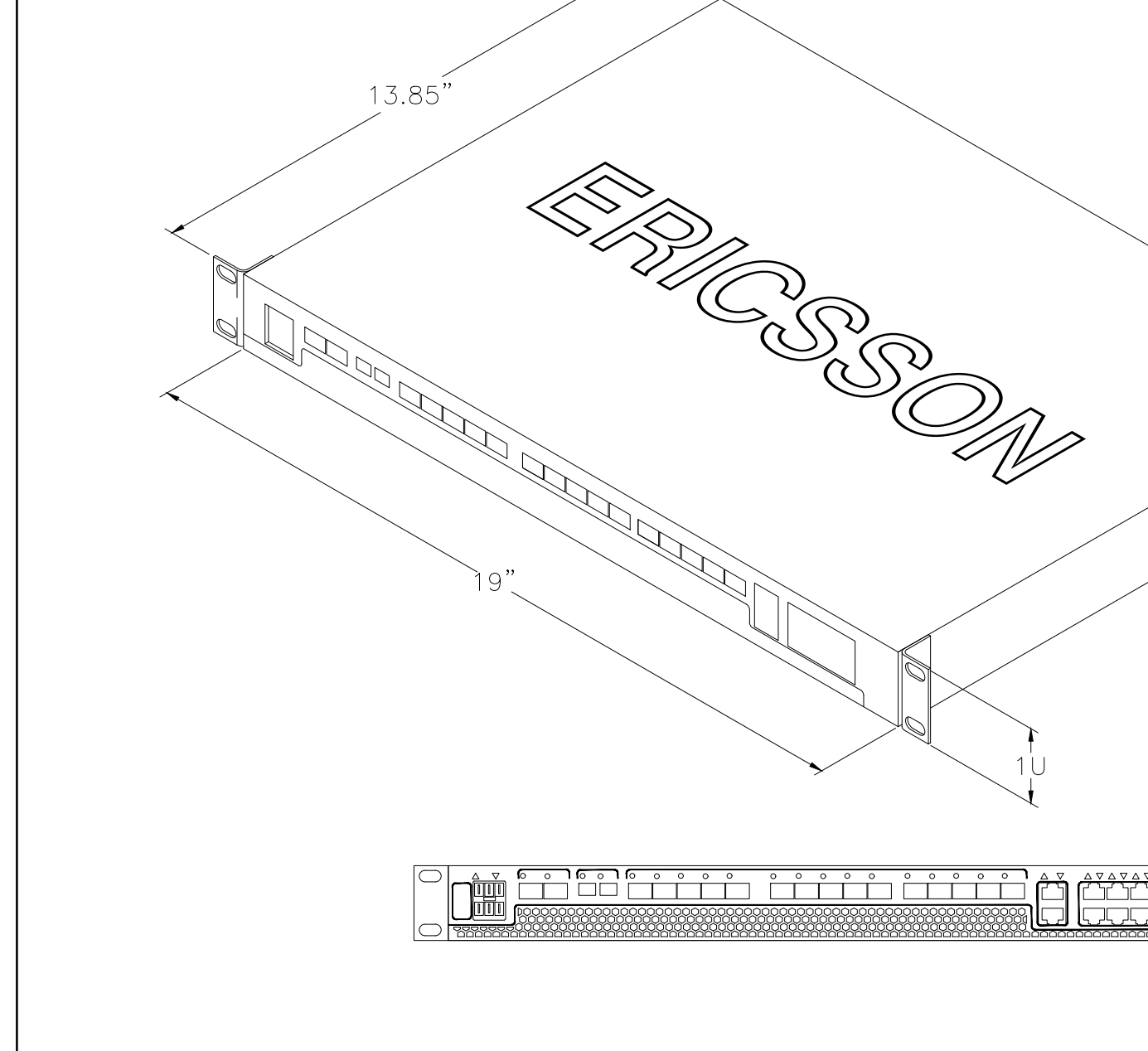
INSTALLATION DETAILS FOR POST-INSTALLED ANCHORS

ANCHOR TYPES	HILTI KB-TZ STAINLESS STEEL
LENGTH OF ANCHOR, LANCH (in)	7.000
DIAMETER OF ANCHOR, DA (in)	0.500
MINIMUM THICKNESS OF FASTENED STEEL MATERIAL, TMIN (in)	0.25*
MINIMUM EFFECTIVE EMBEDMENT, HEF (in)	3.250
MINIMUM NOMINAL EMBEDMENT, HNOM (in)	3.625
MINIMUM DRILL HOLE DEPTH, HO (in)	4.000**
MINIMUM CONCRETE SLAB THICKNESS, TCONC (in)	8.00*
REQUIRED INSTALLATION TORQUE	40 FT-LB

*NOTIFY EOR IF MATERIAL THICKNESS DOES NOT MEET MINIMUM VALUES SPECIFIED.
 **HAMMER DRILL HOLE IN CONCRETE BASE MATERIAL AND CLEAN HOLE PER MANUFACTURER'S SPECIFICATIONS

(N) CABINET ANCHORAGE DETAIL SCALE: 7 NTS

RADIO 4415 B25 DETAIL SCALE: 5 NO SCALE



BASEBAND 6630

OPTIMIZED FOR MAIN-REMOTE CONFIGURATIONS

- 19 INCH WIDE, 1U HIGH, <352mm DEEP
- 15 SFP/SFP+FOR CPRI INTER-CONNECT TO RADIO UNITS REDUCING THE NEED FOR BASEBAND R503
- 2 OPTICAL 1/10Gbps SFP/SFP+ PORTS AND 2 ELECTRICAL 1Gbps RJ45 PORTS
- EIGHT EXTERNAL ALARM PORTS
- DUAL 48V DC POWER FEEDING
- SELF-CONTAINED ENVIRONMENTAL CONTROL & FIELD REPLACEABLE FAN UNITS
- HARDWARE PREPARED FOR NR (5G) AND eCPRI

COMPARISON

- BASEBAND 6630 IS STANDALONE & HAS ITS OWN CLIMATE CONTROL
- BASEBAND 663 HAS 15 CPRI PORTS & DUAL POWER FEEDING
- 123W est. POWER CONSUMPTION (@ 25°C, TYPICAL LOAD)

LTE, WCDMA AND GSM CAPACITY AND MIXER MODE CAPABILITY

- BASEBAND 6630 CAPACITY & CAPABILITIES EQUIVALENT TO BASEBAND 5216

FRO NR, BASEBAND 6630 HAS CONNECTIVITY ADVANTAGES OVER BASEBAND 5216 (UNDER STUDY)

- BB 6630: 4 TO 6 CPRI-8 PORTS (10.1 Gbps) ACCESSIBLE FOR mm WAVE RADIO WITH NR CONFIGURED
- BB 5216: 2 TO 3 CPRI-8 PORTS ACCESSIBLE FOR mmWAVE RADIOS WITH NR CONFIGURED

BASEBAND 6630 SPECIFICATION SCALE: 3 NTS

T-Mobile
 Stick Together

121 SOUTH ELECTION RD. SUITE. 330
 DRAPER, UT 84020

PROJECT INFORMATION:
 (ANCHOR)
SL01150C
UTAH STATE FAIRPARK
 1260 WEST NORTH TEMPLE
 SALT LAKE CITY, UTAH 84116
 SALT LAKE COUNTY

CURRENT ISSUE DATE:
 09/10/20

ISSUED FOR:
CONSTRUCTION

REV.: DATE: DESCRIPTION: BY:

A	08/14/20	90% CD	RC
D	09/10/20	100% CD	RC

PLANS PREPARED BY:

Synergy
 a division of advantage engineers

7543 Woodley Ave., #201, Van Nuys, CA 91406
 Office: (818) 840-0808 Fax: (818) 840-0708

CONSULTANT:

Synergy
 a division of advantage engineers

7543 Woodley Ave., #201, Van Nuys, CA 91406
 Office: (818) 840-0808 Fax: (818) 840-0708

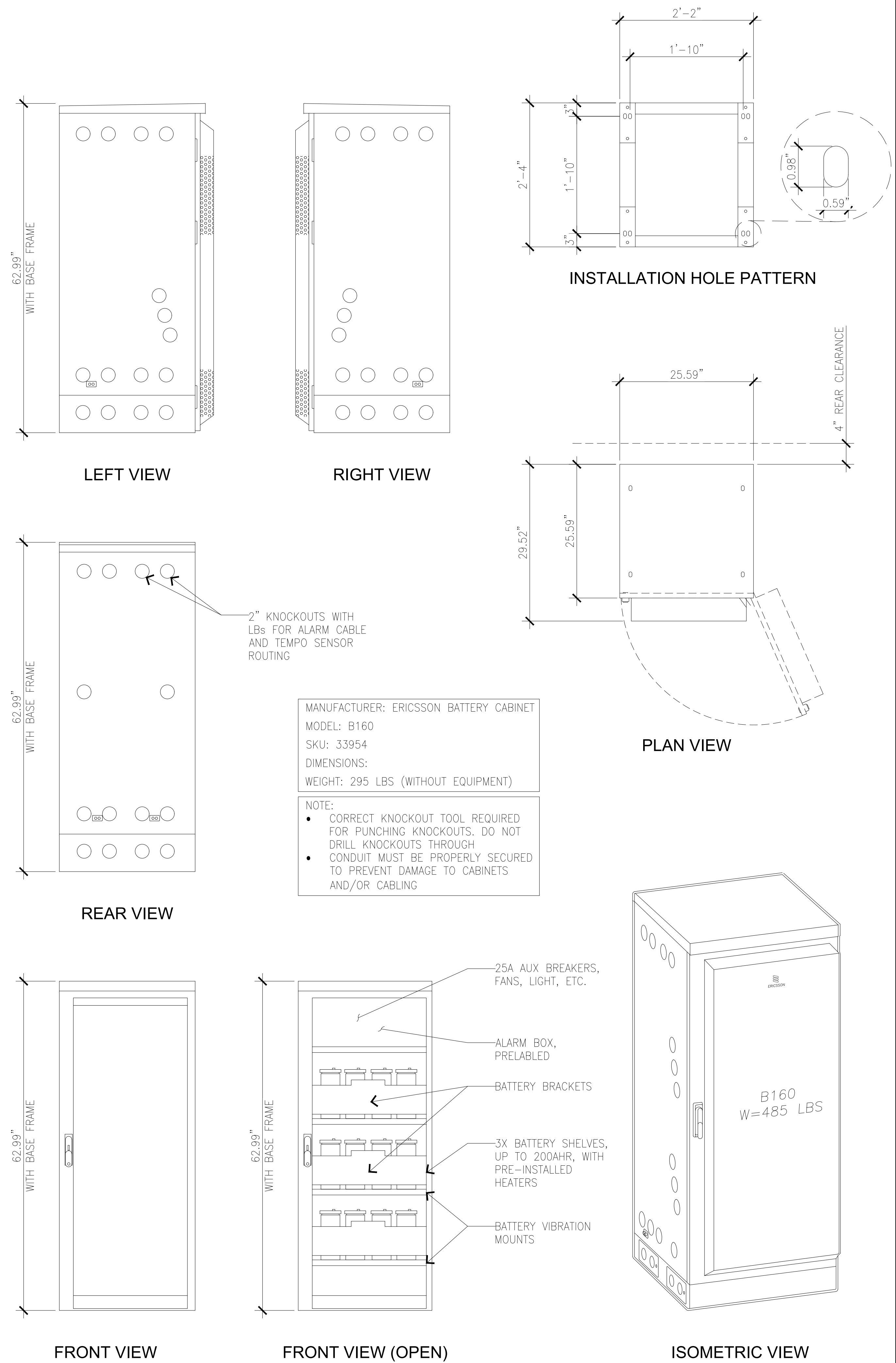
DRAWN BY: RC CHK.: AB APV.: AB

LICENSURE:

SHEET TITLE:

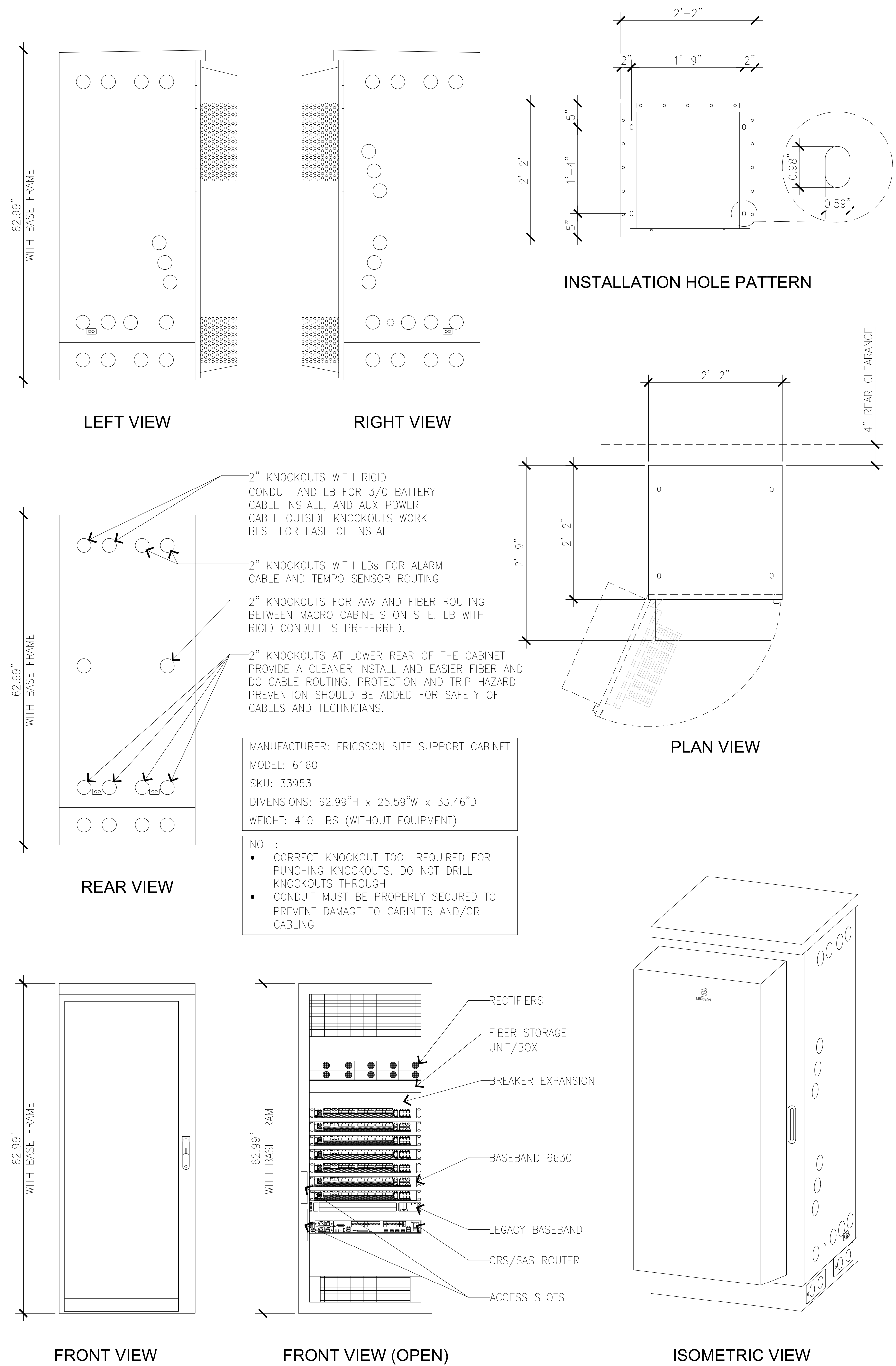
DETAILS AND SPECIFICATIONS-I

SHEET NUMBER: **D-1** REVISION: **0**
 SL01150C



ERICSSON B160 BATTERY CABINET DETAILS

SCALE: 1
 N.T.S.



ERICSSON 6160 SITE SUPPORT CABINET DETAILS

SCALE: 2
 N.T.S.

PROJECT INFORMATION:

(ANCHOR)
SL01150C
UTAH STATE FAIRPARK
 1260 WEST NORTH TEMPLE
 SALT LAKE CITY, UTAH 84116
 SALT LAKE COUNTY

CURRENT ISSUE DATE:

09/10/20

ISSUED FOR:

CONSTRUCTION

REV.: DATE: DESCRIPTION: BY:

A	08/14/20	90% CD	RC
D	09/10/20	100% CD	RC

PLANS PREPARED BY:



7543 Woodley Ave., #201, Van Nuys, CA 91406
 Office: (818) 840-0808 Fax: (818) 840-0708

CONSULTANT:

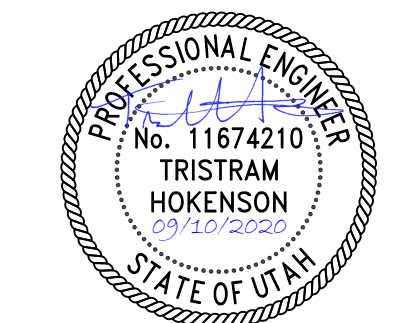


7543 Woodley Ave., #201, Van Nuys, CA 91406
 Office: (818) 840-0808 Fax: (818) 840-0708

DRAWN BY: CHK.: APV.:

RC	AB	AB
----	----	----

LICENSURE:



SHEET TITLE:

DETAILS AND SPECIFICATIONS-II

SHEET NUMBER: REVISION:

D-2 **0**

SL01150C

PROJECT INFORMATION:

(ANCHOR)
SL01150C
UTAH STATE FAIRPARK
1260 WEST NORTH TEMPLE
SALT LAKE CITY, UTAH 84116
SALT LAKE COUNTY

CURRENT ISSUE DATE:

09/10/20

ISSUED FOR:

CONSTRUCTION

REV.: DATE: DESCRIPTION: BY:

REV.	DATE	DESCRIPTION	BY
A	08/14/20	90% CD	RC
D	09/10/20	100% CD	RC

PLANS PREPARED BY:



7543 Woodley Ave., #201, Van Nuys, CA 91406
Office: (818) 840-0808 Fax: (818) 840-0708

CONSULTANT:



7543 Woodley Ave., #201, Van Nuys, CA 91406
Office: (818) 840-0808 Fax: (818) 840-0708

DRAWN BY: CHK.: APV.:

RC	AB	AB
----	----	----

LICENSURE:



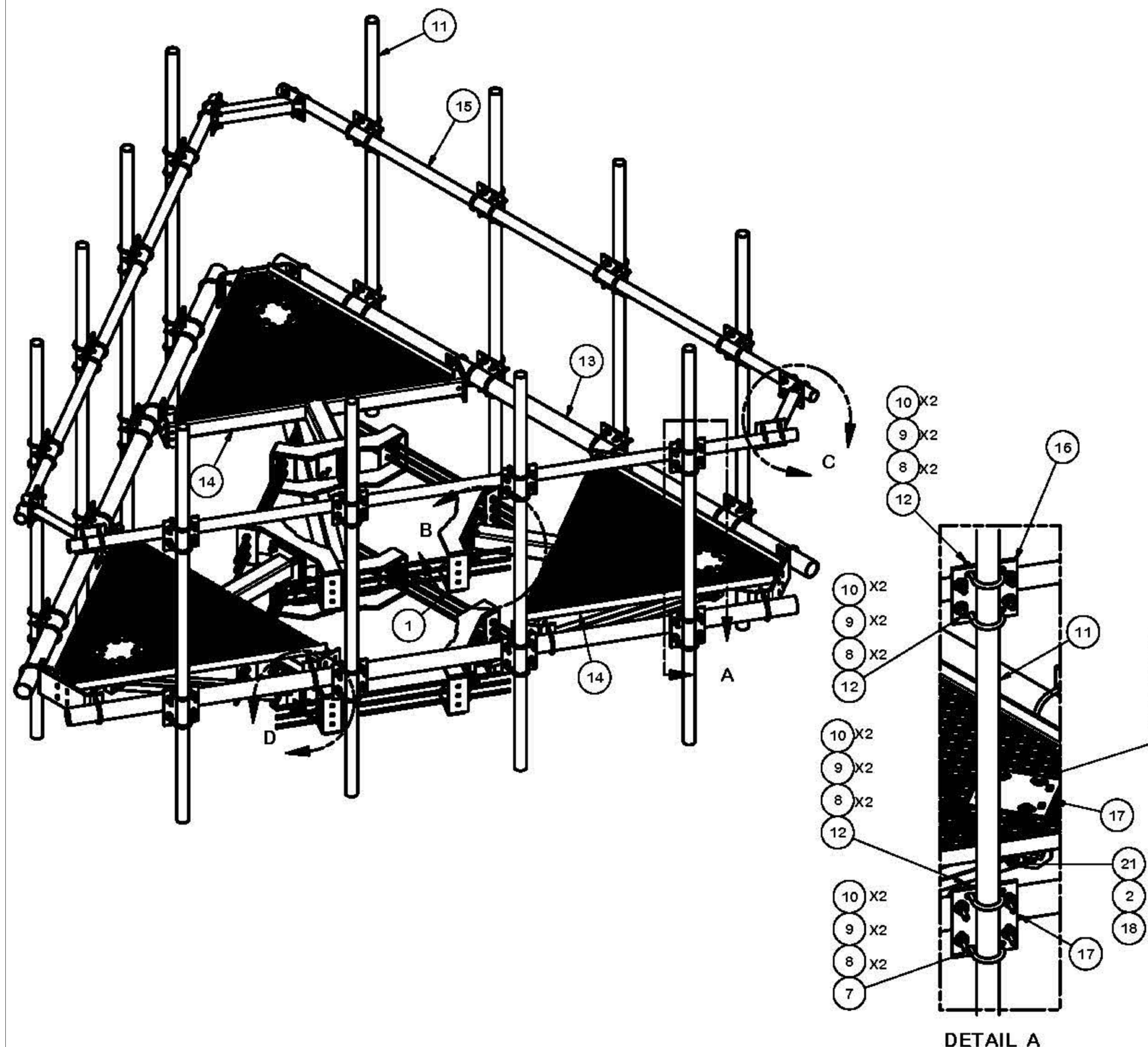
SHEET TITLE:

ANTENNA MOUNT DETAILS-I

SHEET NUMBER: REVISION:

D-3 0

SL01150C



PARTS LIST						
ITEM	QTY	PART NO.	PART DESCRIPTION	LENGTH	UNIT WT.	NET WT.
1	6	X-LWRM	RING MOUNT WELDMENT		68.81	412.85
2	66	G58LW	5/8" HDG LOCKWASHER		0.03	1.72
3	60	A58NUT	5/8" HDG A325 HEX NUT		0.13	7.79
4	18	G58R-24	5/8" x 24" THREADED ROD (HDG.)		2.09	37.63
4	18	G58R-48	5/8" x 48" THREADED ROD (HDG.)		4.16	75.27
5	24	A58234	5/8" x 2-3/4" HDG A325 HEX BOLT	2 3/4 in	0.36	8.54
6	24	A58FW	5/8" HDG A325 FLATWASHER		0.03	0.82
7	36	X-UB1306	1/2" X 3-5/8" X 6" X 3" U-BOLT (HDG.)		0.83	29.82
8	264	G12FW	1/2" HDG USS FLATWASHER	3/32 in	0.03	9.00
9	252	G12LW	1/2" HDG LOCKWASHER	1/8 in	0.01	3.50
10	252	G12NUT	1/2" HDG HEAVY 2H HEX NUT		0.07	18.05
11	12	P296	2-3/8" X 96" SCH. 40 GALVANIZED PIPE	96 in	30.76	369.08
12	84	X-UB1212	1/2" X 2-1/2" X 4-1/2" X 2" U-BOLT (HDG.)		0.60	50.17
13	3	P3150	3-1/2" X 150" (3" SCH 40) GALVANIZED PIPE	150 in	94.80	284.40
14	3	X-SV196	LOW PROFILE PLATFORM CORNER		212.10	636.31
15	3	P2150	2-3/8" O.D. X 150" SCH 40 GALVANIZED PIPE	150 in	45.77	137.31
16	12	SCX2	CROSSOVER PLATE	7 in	4.80	57.56
17	15	SCX4	CROSSOVER PLATE	8 1/2 in	6.02	90.32
18	6	G58NUT	5/8" HDG HEAVY 2H HEX NUT		0.13	0.78
19	6	X-253993	PLATFORM REINFORCEMENT KIT ANGLE	52 25/32 in	14.33	85.99
20	6	X-TBW	T-BRACKET WELDMENT		13.60	81.60
21	6	G5802	5/8" x 2" HDG HEX BOLT GR5		0.27	1.62
22	12	G12065	1/2" x 6-1/2" HDG HEX BOLT GR5 FULL THREAD	5 1/2 in	0.41	4.91
23	3	X-AHCP	ANGLE HANDRAIL CORNER PLATE		12.92	38.76
TOTAL WT. #						2445.81

- 10 X2
- 9 X2
- 8 X2
- 12

- 10 X2
- 9 X2
- 8 X2
- 12

- 10 X2
- 9 X2
- 8 X2
- 7

- 10
- 9
- 8 X2
- 22

- 10
- 9
- 8 X2
- 2
- 18

- 3
- 2
- 6
- 5

- 12
- 8 X2
- 9 X2
- 10 X2

- 3
- 2
- 6
- 5

- 18
- 2
- 21

TOLERANCE NOTES

TOLERANCES ON DIMENSIONS, UNLESS OTHERWISE NOTED ARE:
SAWED, SHEARED AND GAS CUT EDGES ($\pm 0.030"$)
DRILLED AND GAS CUT HOLES ($\pm 0.030"$) - NO CONING OF HOLES
LASER CUT EDGES AND HOLES ($\pm 0.010"$) - NO CONING OF HOLES
BENDS ARE $\pm 1/2$ DEGREE
ALL OTHER MACHINING ($\pm 0.030"$)
ALL OTHER ASSEMBLY ($\pm 0.060"$)

PROPRIETARY NOTE:
THE DATA AND TECHNIQUES CONTAINED IN THIS DRAWING ARE PROPRIETARY INFORMATION OF VALMONT INDUSTRIES AND CONSIDERED A TRADE SECRET. ANY USE OR DISCLOSURE WITHOUT THE CONSENT OF VALMONT INDUSTRIES IS STRICTLY PROHIBITED.

DESCRIPTION
12' 6" LOW PROFILE PLATFORM
WITH TWELVE 2-3/8" ANTENNA MOUNTING
PIPES, AND HANDRAIL



Locations:
New York, NY
Atlanta, GA
Los Angeles, CA
Plymouth, IN
Salem, OR
Dallas, TX

Engineering Support Team:
1-888-753-7446

REV	DESCRIPTION OF REVISIONS	CPD	BY	DATE
A	CHANGED X-253992 TO X-TBW	4488	CEK	9/20/2018

REVISION HISTORY

CPD NO. 4488	DRAWN BY CEK 7/14/2014	ENG. APPROVAL	PART NO. RMQP-496-HK	PAGE 1 OF 3
CLASS SUB 81 02	DRAWING USAGE CUSTOMER	CHECKED BY BMC 7/14/2014	DWG. NO. RMQP-496-HK	

PROJECT INFORMATION:

(ANCHOR)
SL01150C
UTAH STATE FAIRPARK
1260 WEST NORTH TEMPLE
SALT LAKE CITY, UTAH 84116
SALT LAKE COUNTY

CURRENT ISSUE DATE:

09/10/20

ISSUED FOR:

CONSTRUCTION

REV.: DATE: DESCRIPTION: BY:

A	08/14/20	90% CD	RC
D	09/10/20	100% CD	RC

PLANS PREPARED BY:



7543 Woodley Ave., #201, Van Nuys, CA 91406
Office: (818) 840-0808 Fax: (818) 840-0708

CONSULTANT:

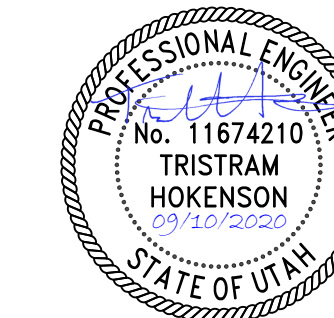


7543 Woodley Ave., #201, Van Nuys, CA 91406
Office: (818) 840-0808 Fax: (818) 840-0708

DRAWN BY: CHK.: APV.:

RC AB AB

LICENSURE:



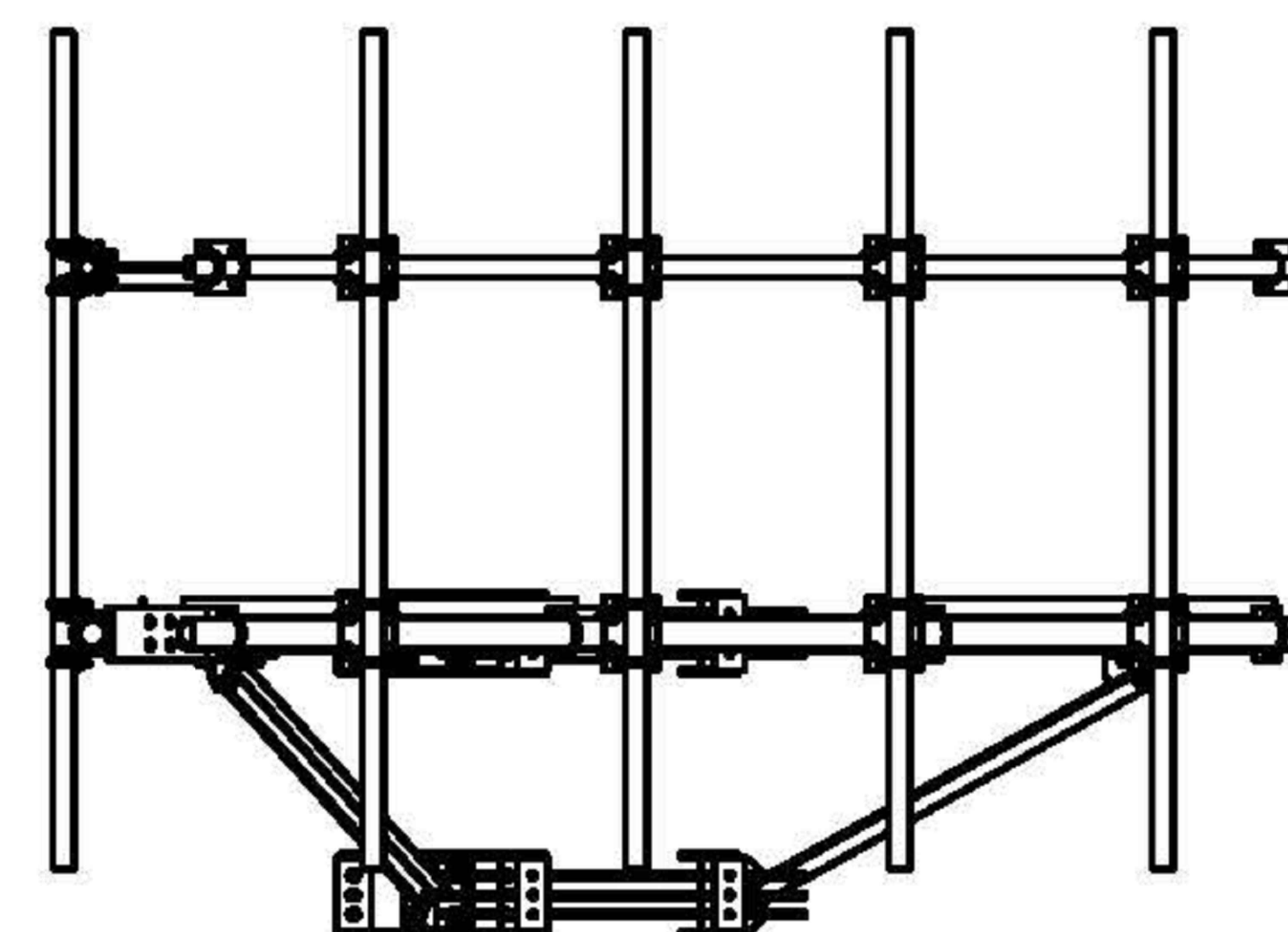
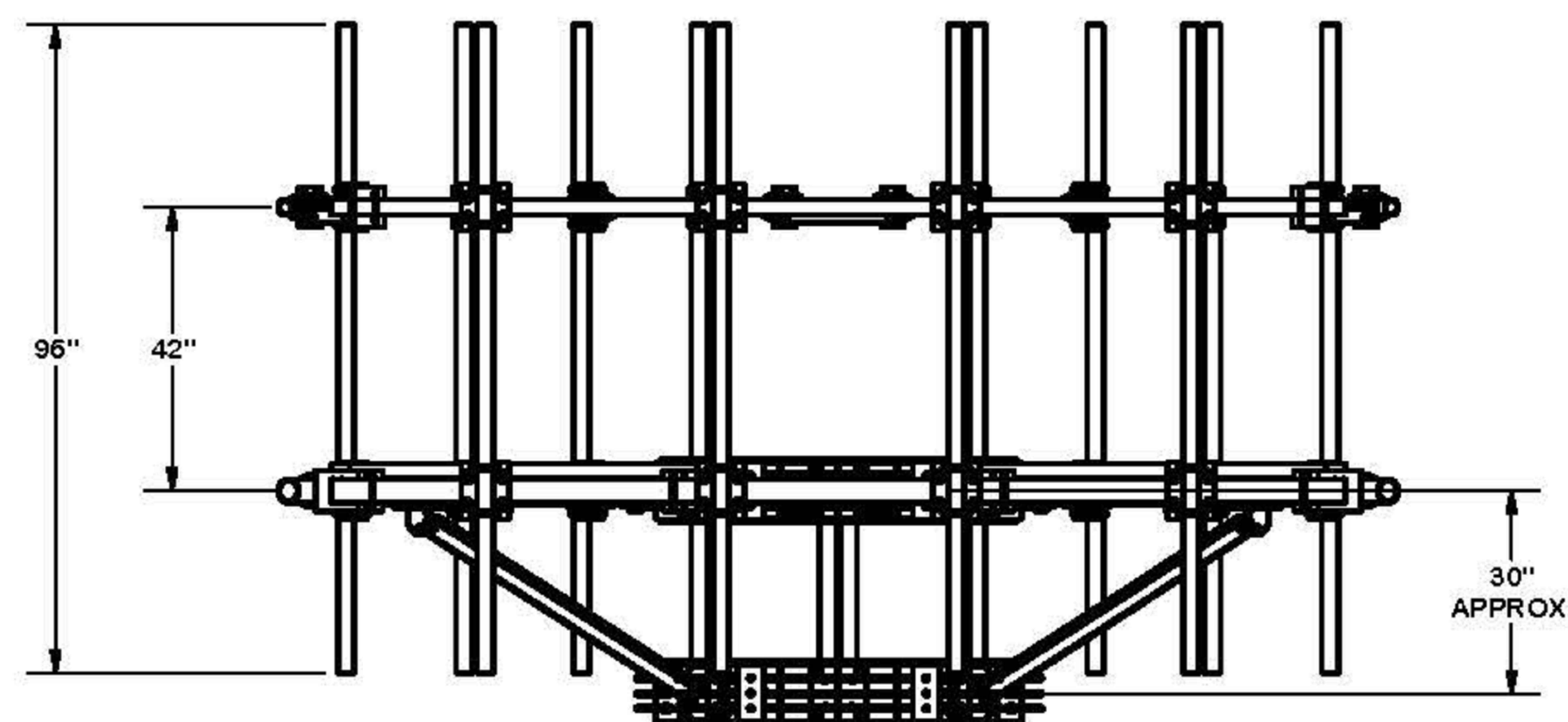
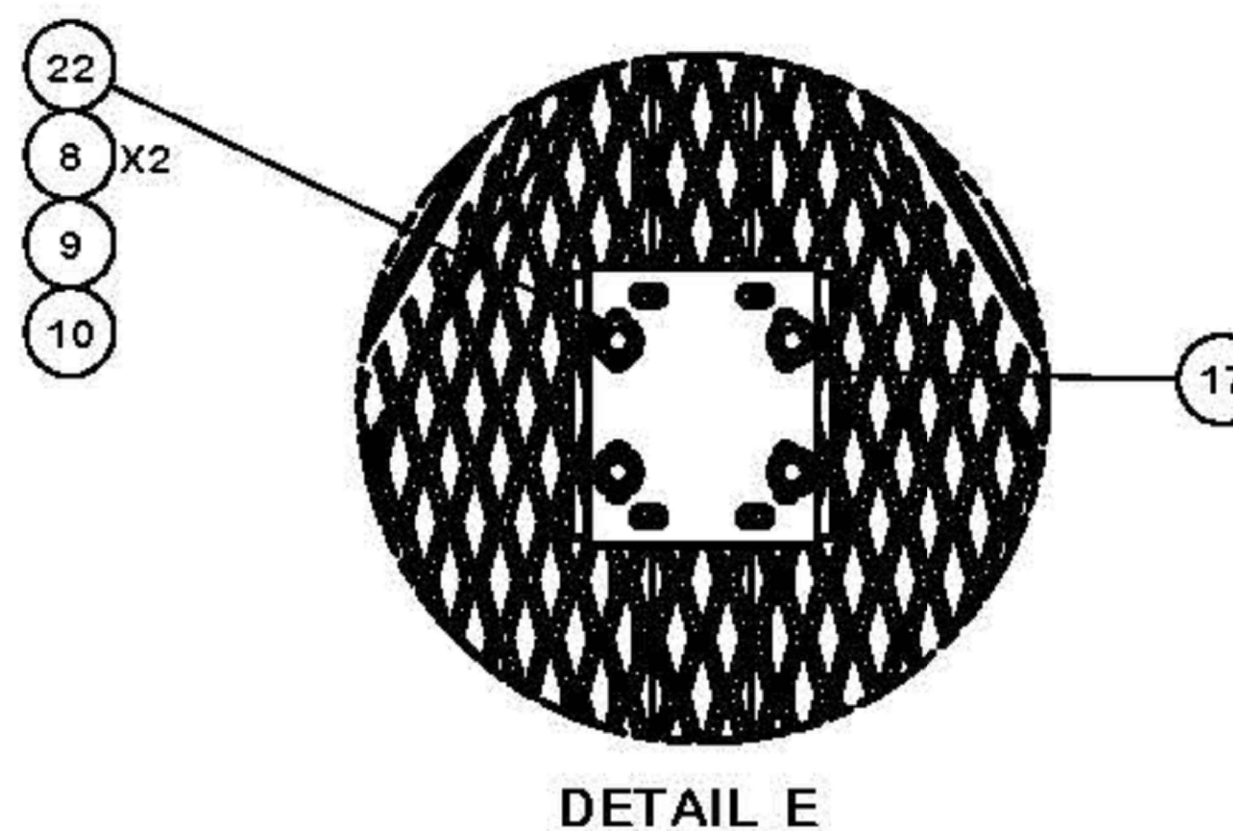
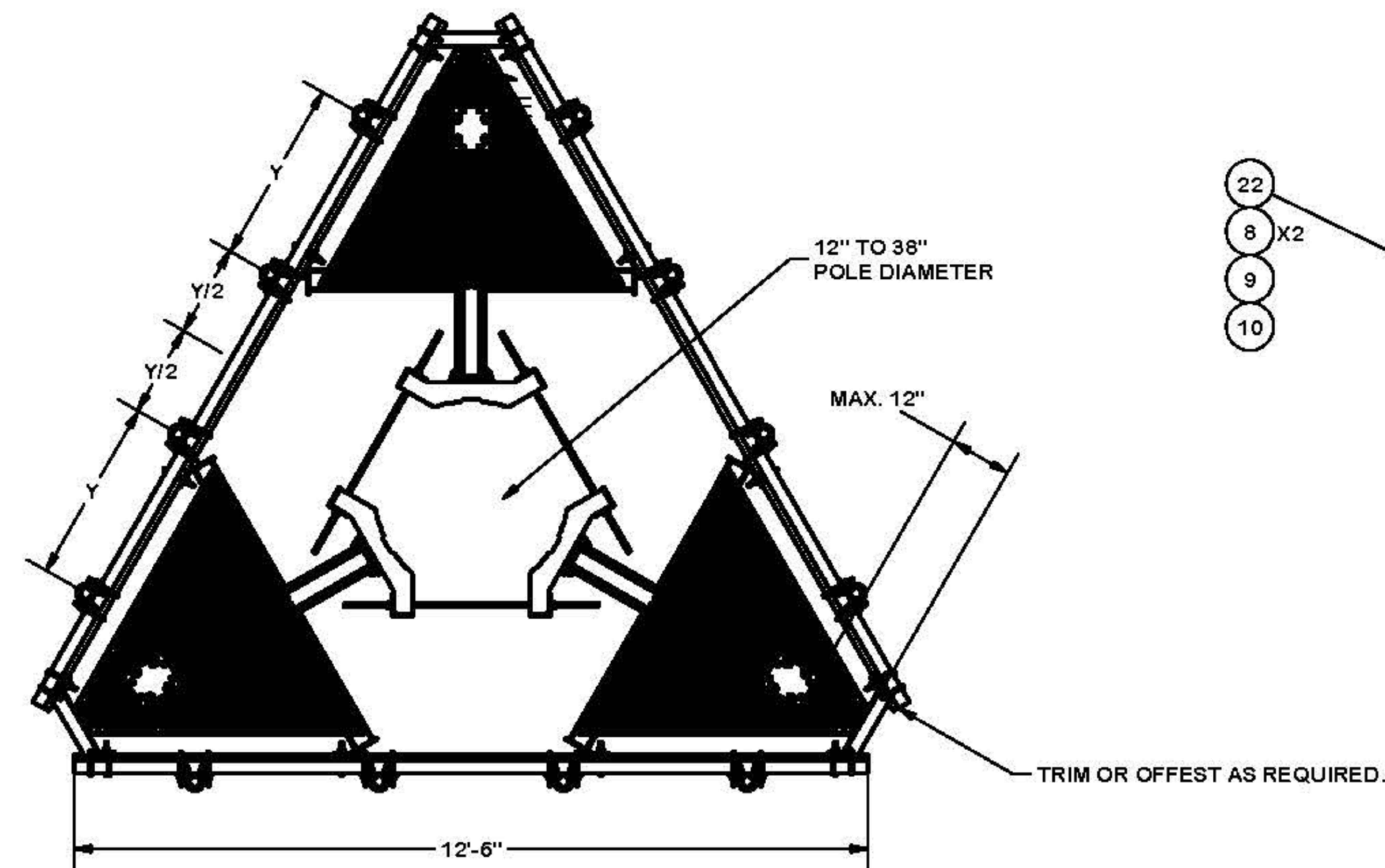
SHEET TITLE:

ANTENNA MOUNT DETAILS-II

SHEET NUMBER: REVISION:

D-4 0

SL01150C



TOLERANCE NOTES

TOLERANCES ON DIMENSIONS, UNLESS OTHERWISE NOTED ARE:
SAWED, SHEARED AND GAS CUT EDGES (± 0.030)
DRILLED AND GAS CUT HOLES (± 0.030) - NO CONING OF HOLES
LASER CUT EDGES AND HOLES (± 0.010) - NO CONING OF HOLES
BENDS ARE $\pm 1/2$ DEGREE
ALL OTHER MACHINING (± 0.030)
ALL OTHER ASSEMBLY (± 0.060)

PROPRIETARY NOTE:
THE DATA AND TECHNIQUES CONTAINED IN THIS DRAWING ARE PROPRIETARY INFORMATION OF VALMONT INDUSTRIES AND CONSIDERED A TRADE SECRET. ANY USE OR DISCLOSURE WITHOUT THE CONSENT OF VALMONT INDUSTRIES IS STRICTLY PROHIBITED.

DESCRIPTION
12' 6" LOW PROFILE PLATFORM
WITH TWELVE 2-3/8" ANTENNA MOUTING
PIPES, AND HANDRAIL

SITE PRO
A valmont COMPANY

Locations:
New York, NY
Atlanta, GA
Los Angeles, CA
Plymouth, IN
Salem, OR
Dallas, TX

Engineering Support Team:
1-888-753-7446

REV	DESCRIPTION OF REVISIONS	CPD	BY	DATE
A	CHANGED X-253992 TO X-TBW	4488	CEK	9/20/2018

CPD NO.	4488	DRAWN BY	CEK 7/14/2014	ENG. APPROVAL		PART NO.	RMQP-496-HK	PAGE 2 OF 3	
CLASS	81	SUB	02	DRAWING USAGE	CUSTOMER	CHECKED BY	BMC 7/14/2014		DWG. NO.

PROJECT INFORMATION:

(ANCHOR)
SL01150C
UTAH STATE FAIRPARK
1260 WEST NORTH TEMPLE
SALT LAKE CITY, UTAH 84116
SALT LAKE COUNTY

CURRENT ISSUE DATE:

09/10/20

ISSUED FOR:

CONSTRUCTION

REV.: DATE: DESCRIPTION: BY:

A	08/14/20	90% CD	RC
D	09/10/20	100% CD	RC

PLANS PREPARED BY:



7543 Woodley Ave., #201, Van Nuys, CA 91406
Office: (818) 840-0808 Fax: (818) 840-0708

CONSULTANT:

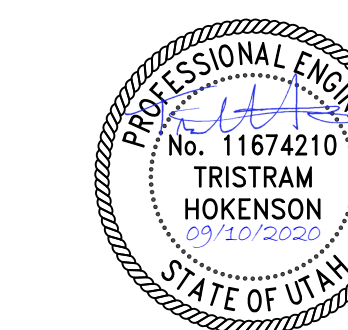


7543 Woodley Ave., #201, Van Nuys, CA 91406
Office: (818) 840-0808 Fax: (818) 840-0708

DRAWN BY: CHK.: APV.:

RC AB AB

LICENSURE:



SHEET TITLE:

GROUNDING NOTES AND DETAILS

SHEET NUMBER: REVISION:

G-1 0

SL01150C

NOTES:

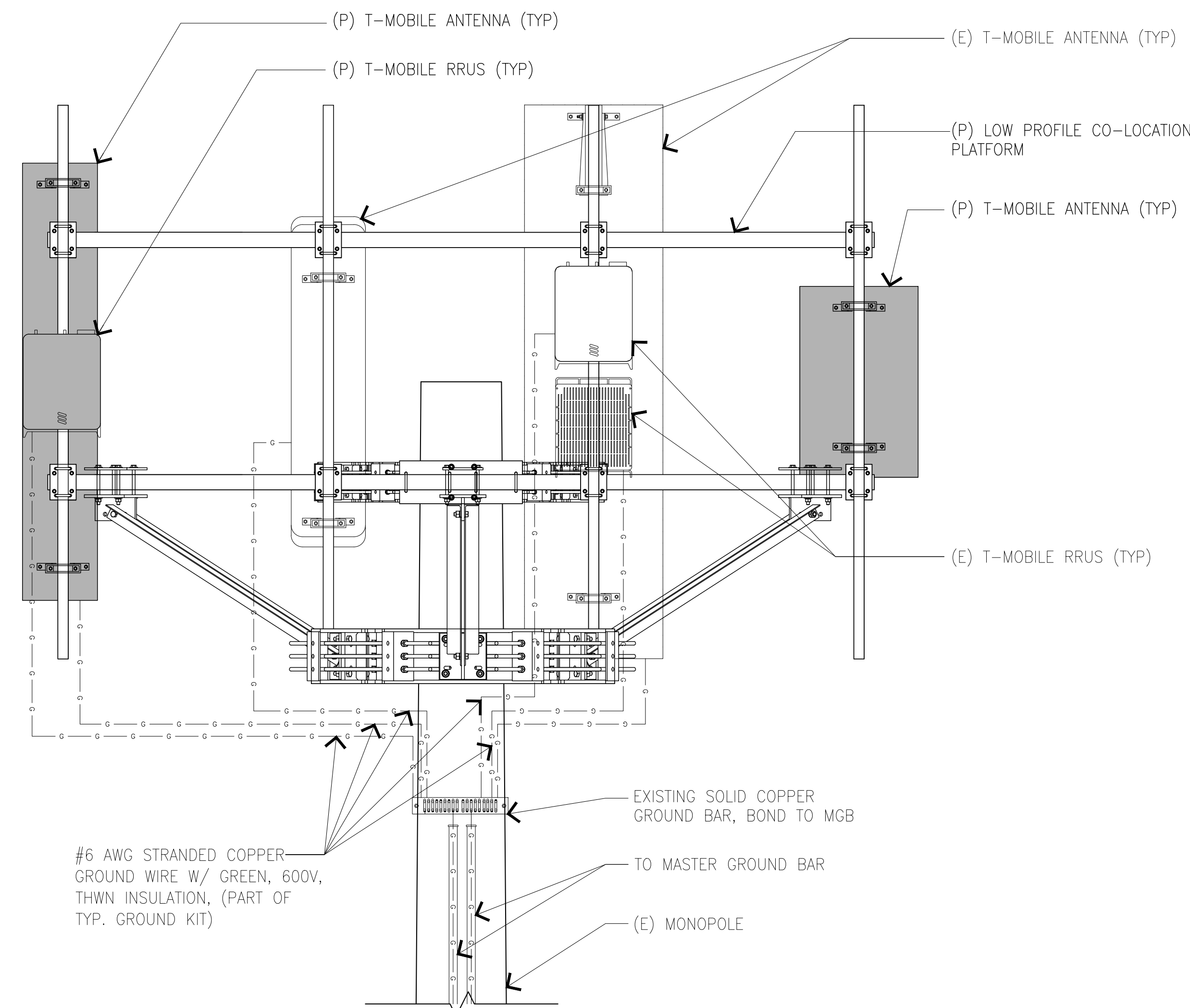
1. ALL GROUND ELECTRODE SYSTEMS (INCLUDING TELECOMMUNICATION, RADIO, LIGHTNING PROTECTION, AND AC POWER SYSTEMS) SHALL BE BONDED TOGETHER, AT OR BELOW GRADE, BY TWO OR MORE COPPER BONDING CONDUCTORS IN ACCORDANCE WITH THE CEC.
2. METAL RACEWAY SHALL NOT BE USED AS THE CEC REQUIRED EQUIPMENT GROUND CONDUCTOR. STRANDED COPPER CONDUCTORS WITH GREEN INSULATION, SIZED IN ACCORDANCE WITH THE NEC, SHALL BE FURNISHED AND INSTALLED WITH THE POWER CIRCUITS TO BTS EQUIPMENT.
3. EACH BTS CABINET FRAME SHALL BE DIRECTLY CONNECTED TO THE MASTER GROUND BAR WITH GREEN INSULATED SUPPLEMENTAL EQUIPMENT GROUND WIRES, 6 AWG STRANDED COPPER OR LARGER FOR INDOOR BTS; 2 AWG STRANDED COPPER FOR OUTDOOR BTS.
4. EXOTHERMIC WELDS SHALL BE USED FOR ALL GROUNDING CONNECTIONS BELOW GRADE.
5. APPROVED ANTIOXIDANT COATINGS (I.E., CONDUCTIVE GEL OR PASTE) SHALL BE USED ON ALL COMPRESSION AND BOLTED GROUND CONNECTIONS.
6. ICE BRIDGE BONDING CONDUCTORS SHALL BE EXOTHERMICALLY BONDED OR BOLTED WITH STAINLESS STEEL HARDWARE TO THE BRIDGE AND THE TOWER GROUND BAR.
7. ALUMINUM CONDUCTOR OR COPPER CLAD STEEL CONDUCTOR SHALL NOT BE USED FOR GROUNDING CONNECTIONS.
8. MISCELLANEOUS ELECTRICAL AND NON-ELECTRICAL METAL BOXES, FRAMES AND SUPPORTS SHALL BE BONDED TO THE GROUND RING, IN ACCORDANCE WITH THE CEC.
9. METAL CONDUIT AND TRAY SHALL BE GROUNDING AND MADE ELECTRICALLY CONTINUOUS WITH LISTED BONDING FITTINGS OR BY BONDING ACROSS THE DISCONTINUITY WITH 6 AWG COPPER WIRE UL APPROVED GROUNDING TYPE CONDUIT CLAMPS.

SYMBOLS:

- GROUND TEST WELL
- GROUND ROD
- COMPRESSION / MECHANICAL TYPE CONNECTION
- CADWELD TYPE CONNECTION
- GROUND WIRE
- GROUND BAR

NOTES:

1. DO NOT INSTALL CABLE GROUND KIT AT A BEND
2. ALWAYS DIRECT GROUND WIRE DOWN TO GROUND BAR
3. TYPICAL FACTORY MADE JUMPERS ONLY

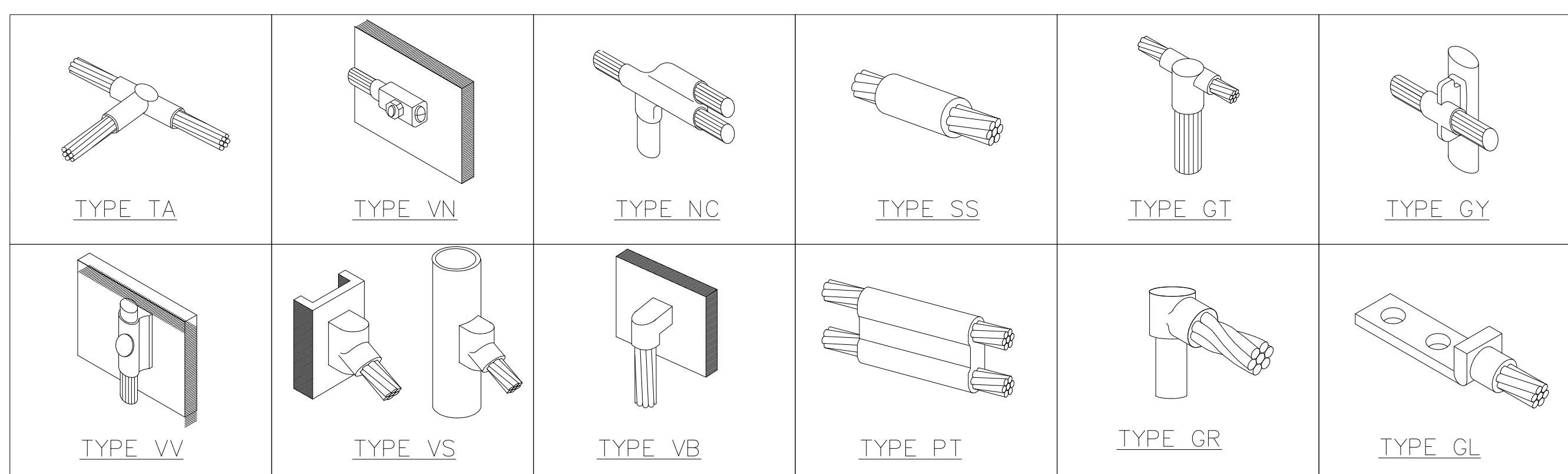


SCALE: 6
N.T.S.

SCALE: 7
N.T.S. NOTES AND SYMBOLS

SCALE: 4
N.T.S. TYPICAL ANTENNA GROUNDING

SCALE: 1
N.T.S.



TYPICAL CADWELD CONNECTIONS

SCALE: 5
N.T.S. GROUND CONDUCTOR TO GROUND BAR

NOTES:

1. APPLY NO-OX TO LUG AND BAR CONTACT SURFACE. DO NOT COAT INLINE LUG
2. IF STOLEN GROUND BARS ARE ENCOUNTERED, CONTACT T-MOBILE CM

SCALE: 3
N.T.S. GROUNDING KIT

NOTES:

1. DO NOT INSTALL CABLE GROUND KIT AT A BEND AND ALWAYS DIRECT GROUND WIRE DOWN TO GROUND BAR.
2. GROUNDING KIT SHALL BE TYPE AND PART NUMBER AS SUPPLIED OR RECOMMENDED BY CABLE MANUFACTURER.
3. WEATHERPROOFING SHALL BE (TYPE AND PART NUMBER) AS SUPPLIED OR RECOMMENDED BY CABLE MANUFACTURER AND APPROVED BY CONTRACTOR

SCALE: 2
N.T.S.